

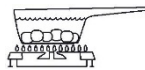
Broil King®

ASSEMBLY MANUAL & PARTS LIST

MANUEL DE MONTAGE & LISTE DE PIÈCES

Broil King

SOVEREIGN 20
9878-14
9878-17



Broil King

SOVEREIGN 90
9878-44
9878-47



RETAIN FOR FUTURE REFERENCE

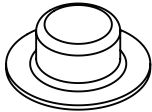
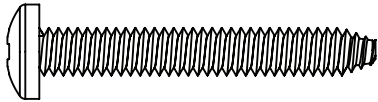

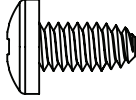

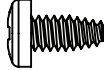
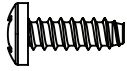

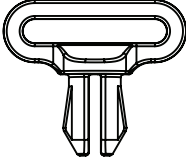
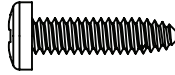

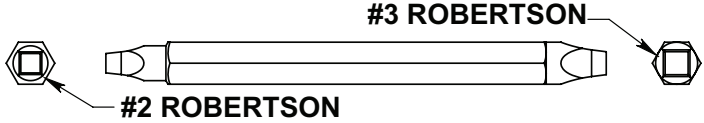
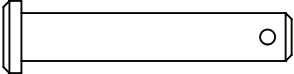
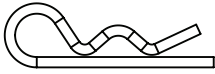
VEUILLEZ CONSERVER POUR REFERENCE ULTERIEURE

Onward
SINCE 1906
MANUFACTURING COMPANY LIMITED
585 KUMPF DRIVE
WATERLOO, ONTARIO, CANADA
N2V 1K3

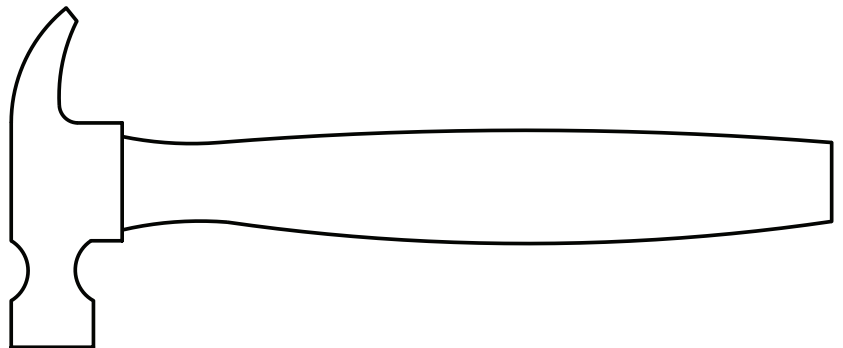
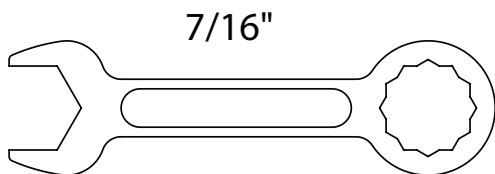
info@omcbbq.com
1-800-265-2150

10084-E48 REV D 06/18

HARDWARE INCLUDED / MATERIAL INCLUS / EQUIPOS INCLUIDO

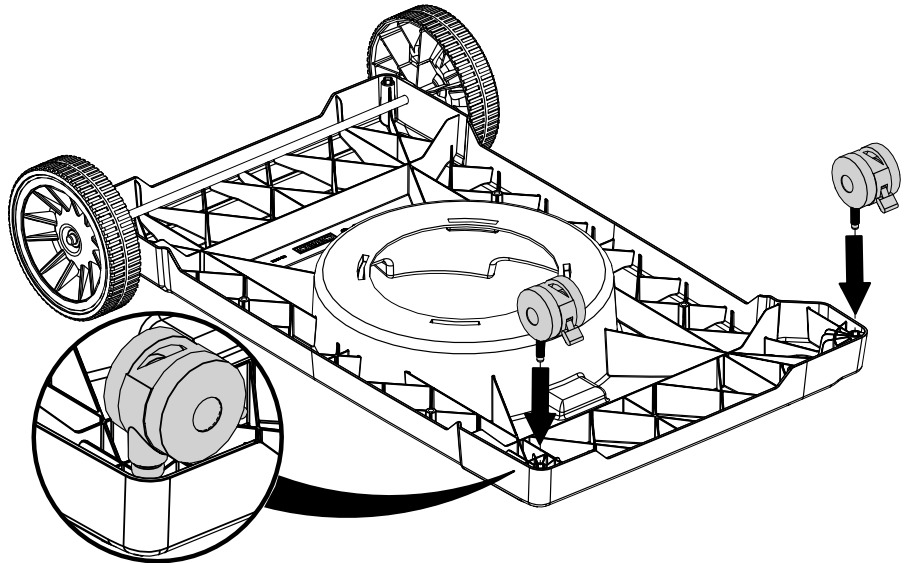
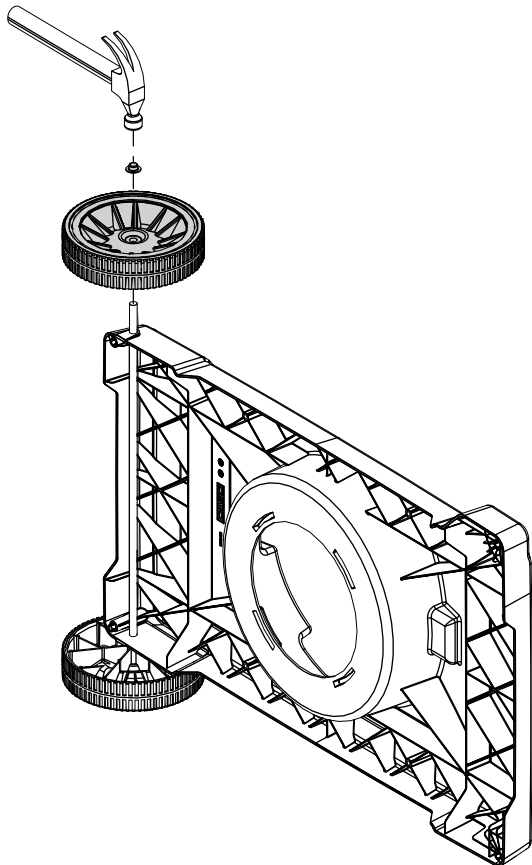
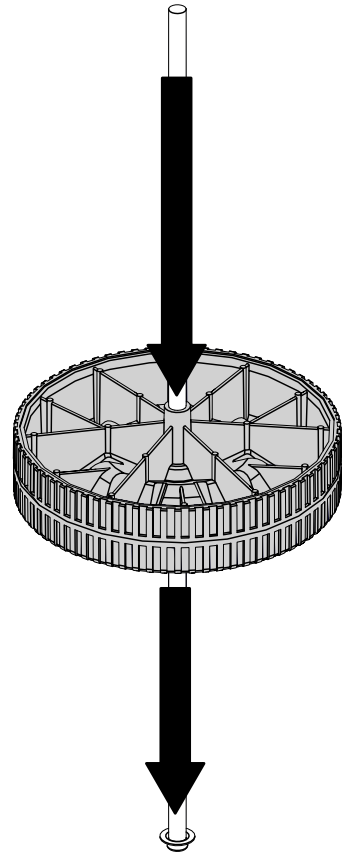
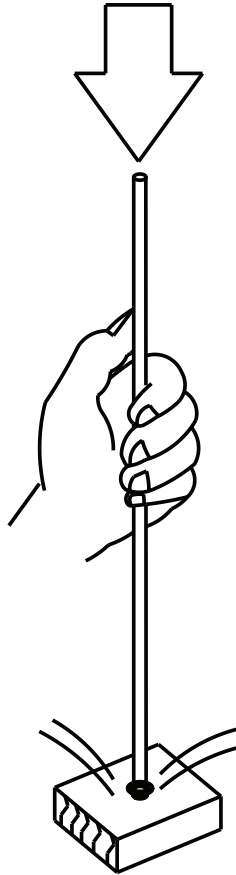
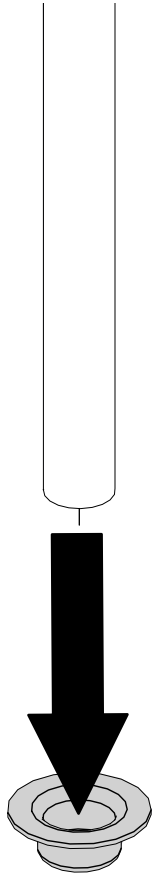
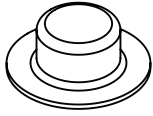
| | | | | | |
|----------|---|----|--|---|----|
| S21420 |  | X2 | Y-11651 |  | X4 |
| Y-11793 |  | X2 | Y-12865 |  | X8 |
| AAA |  | X1 | Y-29304 |  | X2 |
| S21124 |  | X2 | Y-12124 |  | X2 |
| Y-12673 |  | X2 | Y-29306 |  | X2 |
| S21061 |  | X2 |  <p>#3 ROBERTSON</p> <p>#2 ROBERTSON</p> | | |
| 10240-15 |  | X2 | S21233 |  | X2 |

TOOLS REQUIRED / OUTILS NECESSAIRES / HERRAMIENTAS NECESARIAS

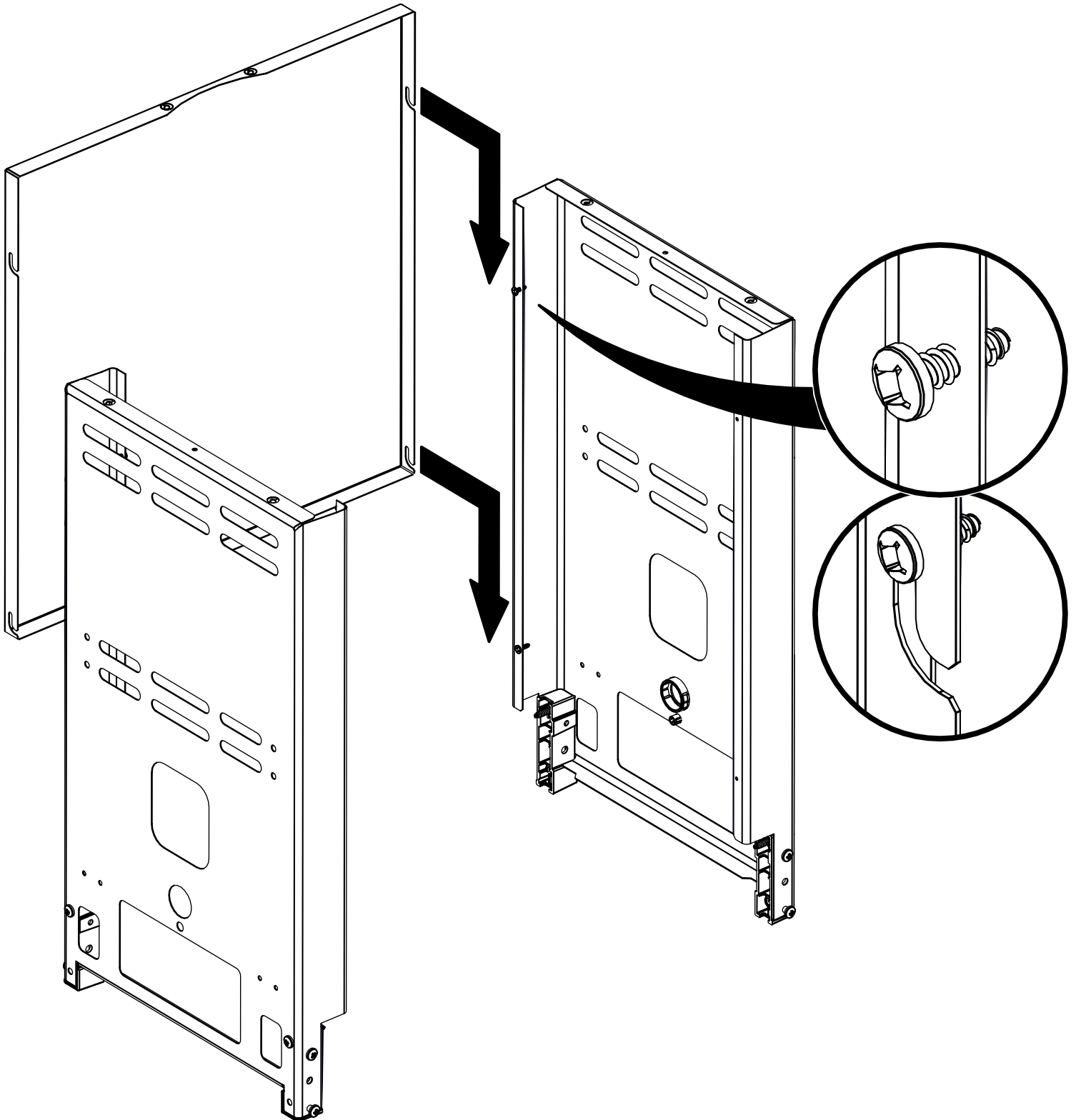


1

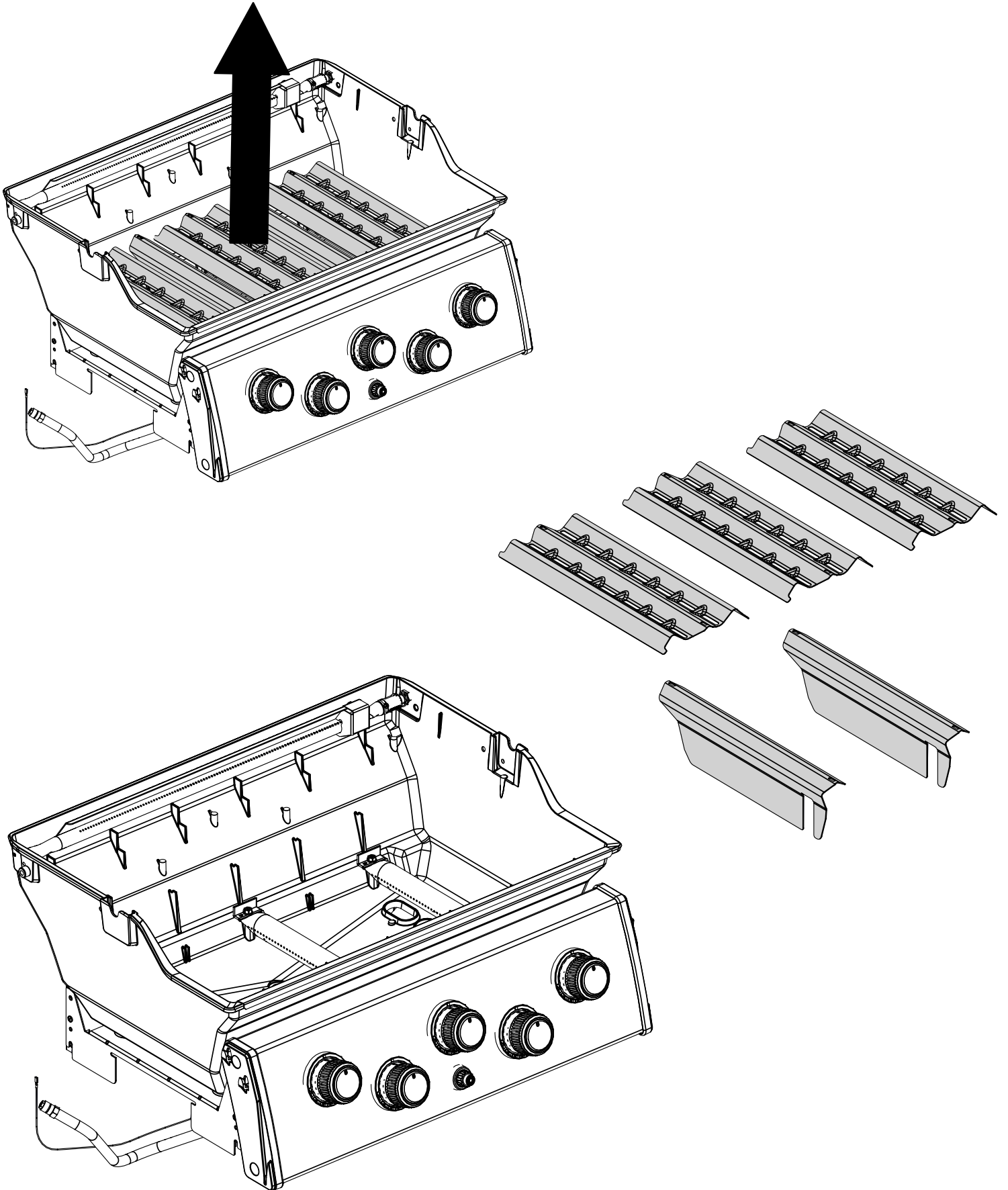
(2)



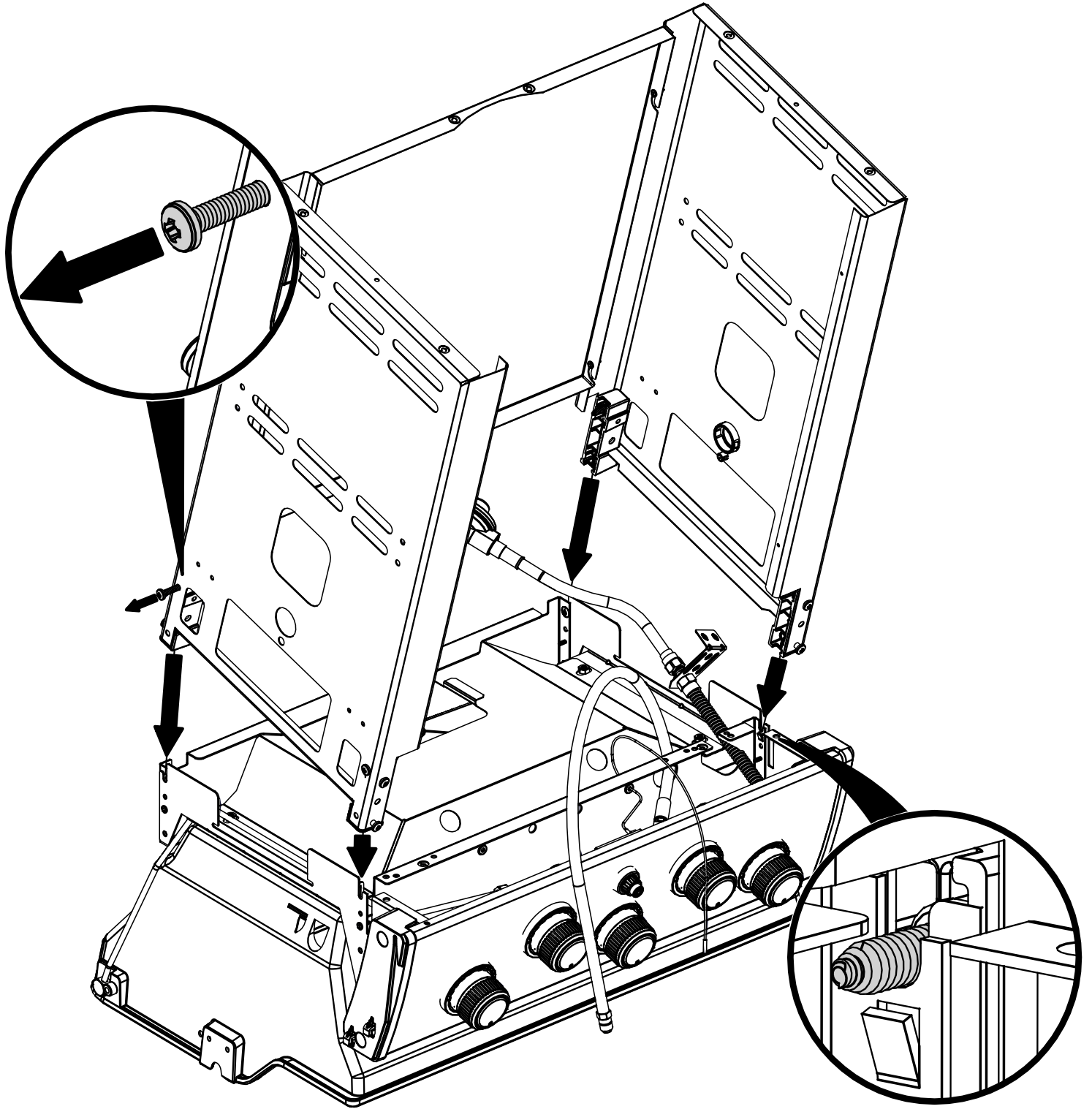
2



3

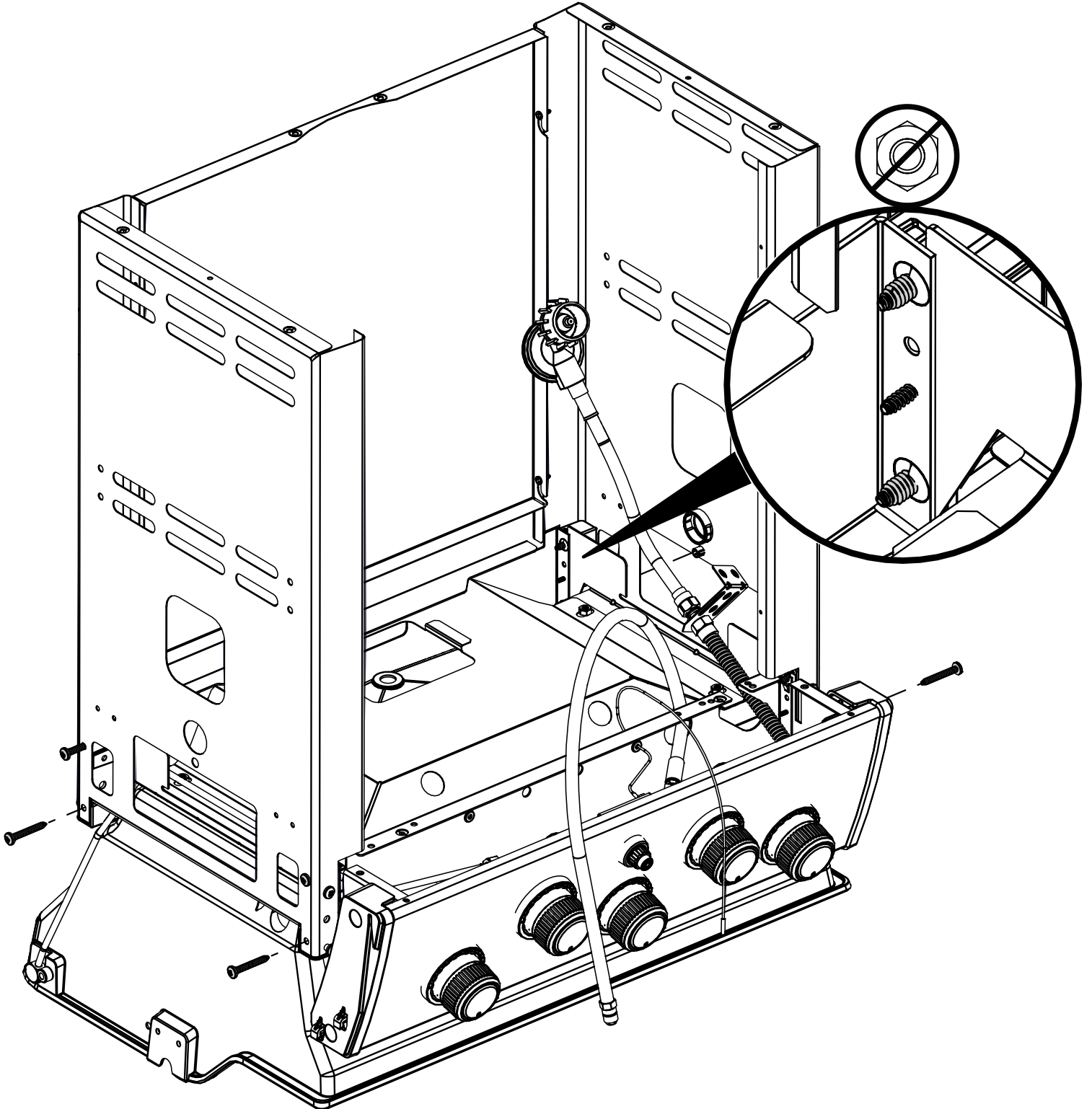
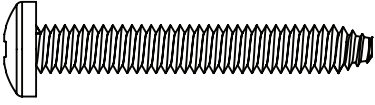


4



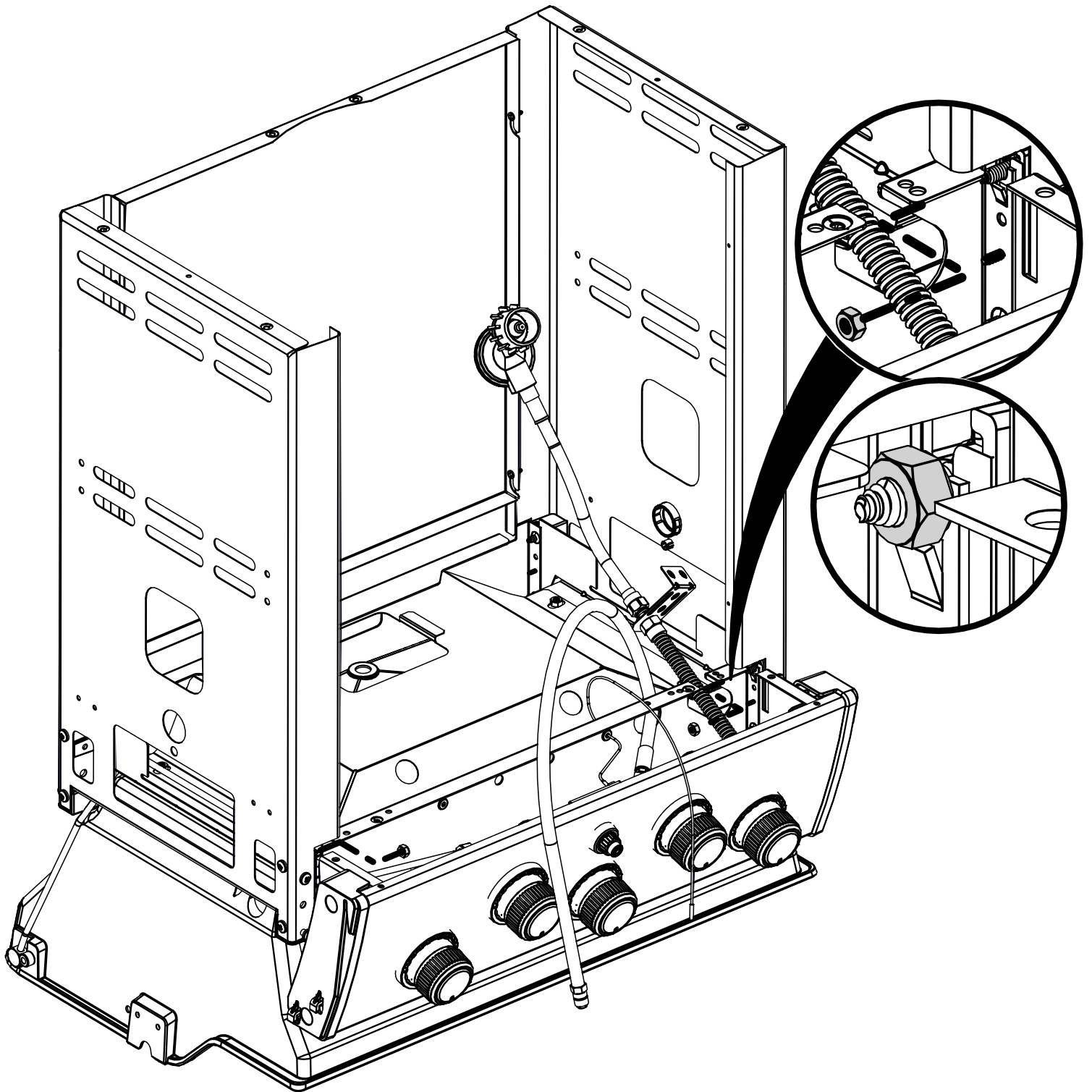
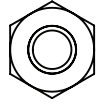
5

(4)

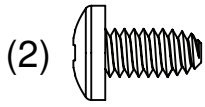


6

(2)



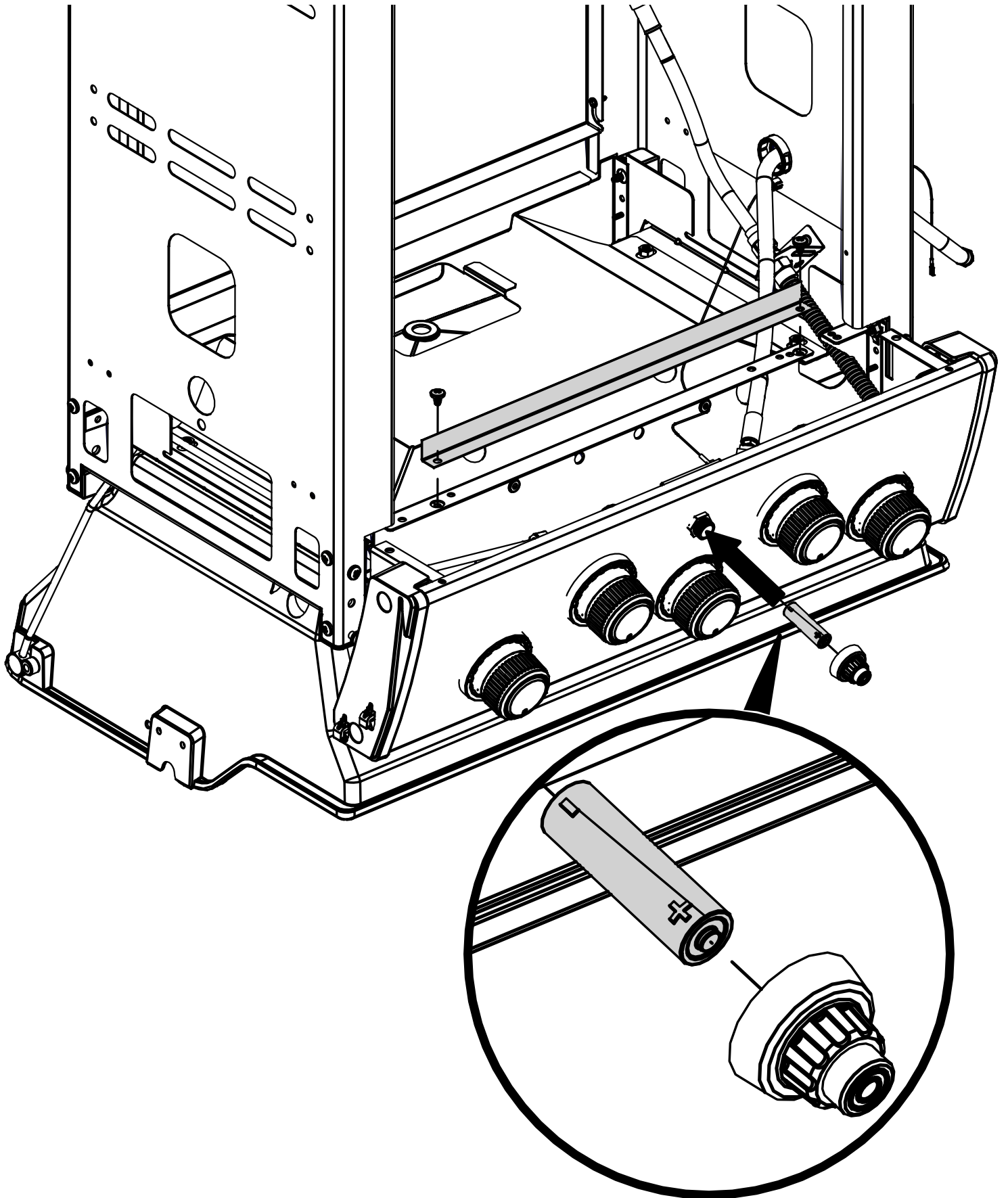
7



(1)

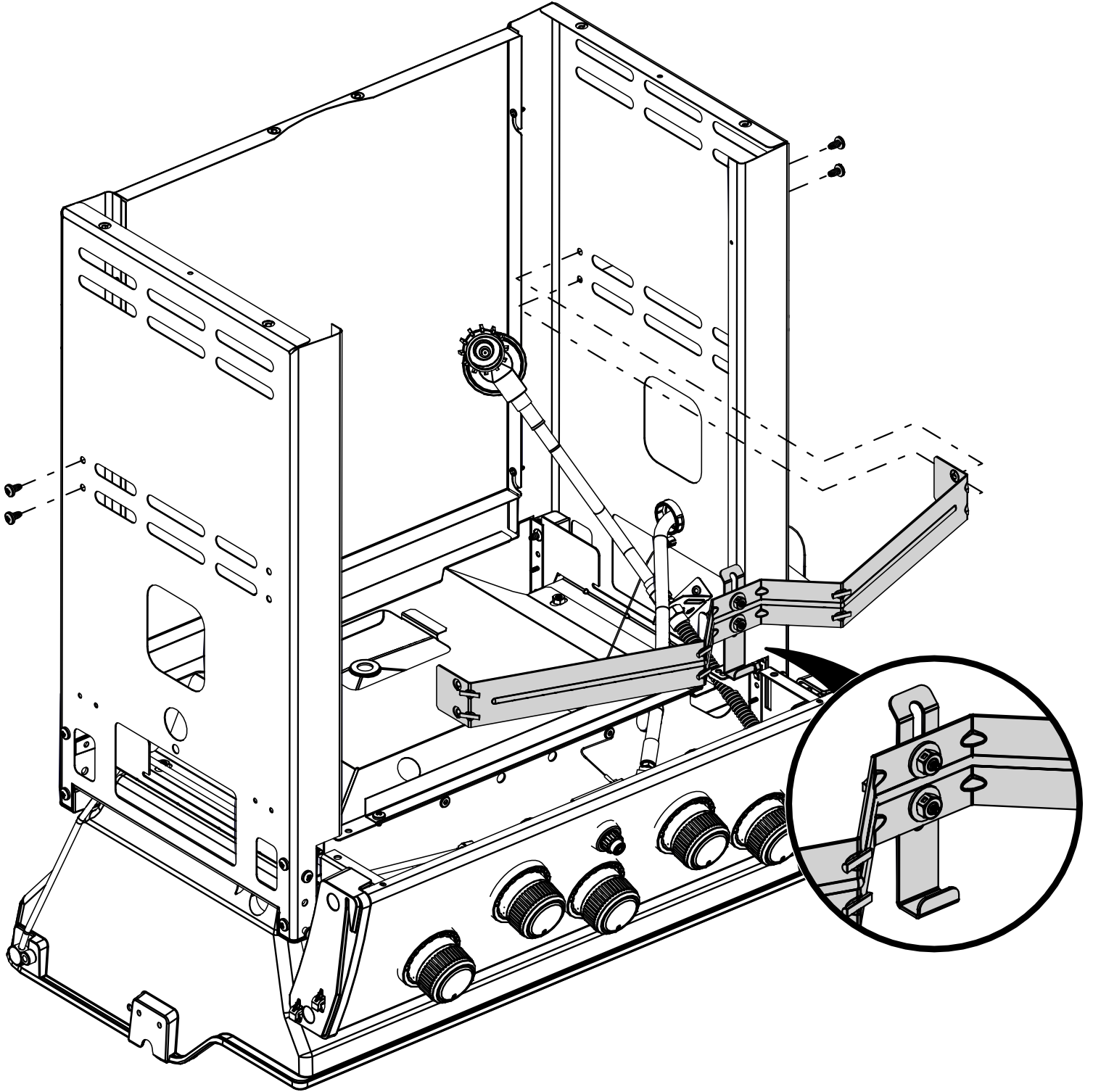
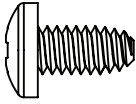


AAA

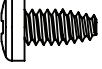


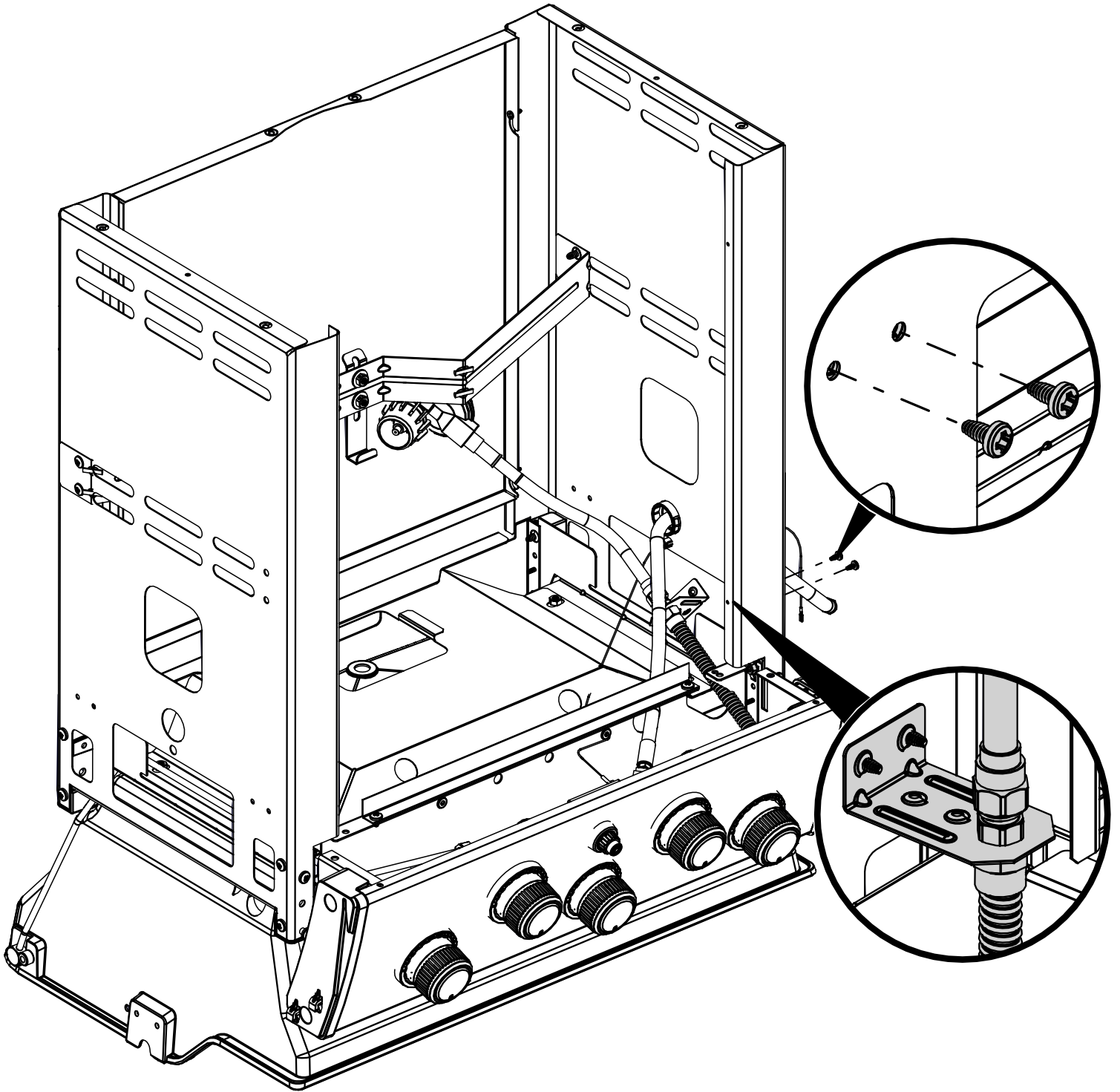
8

(4)

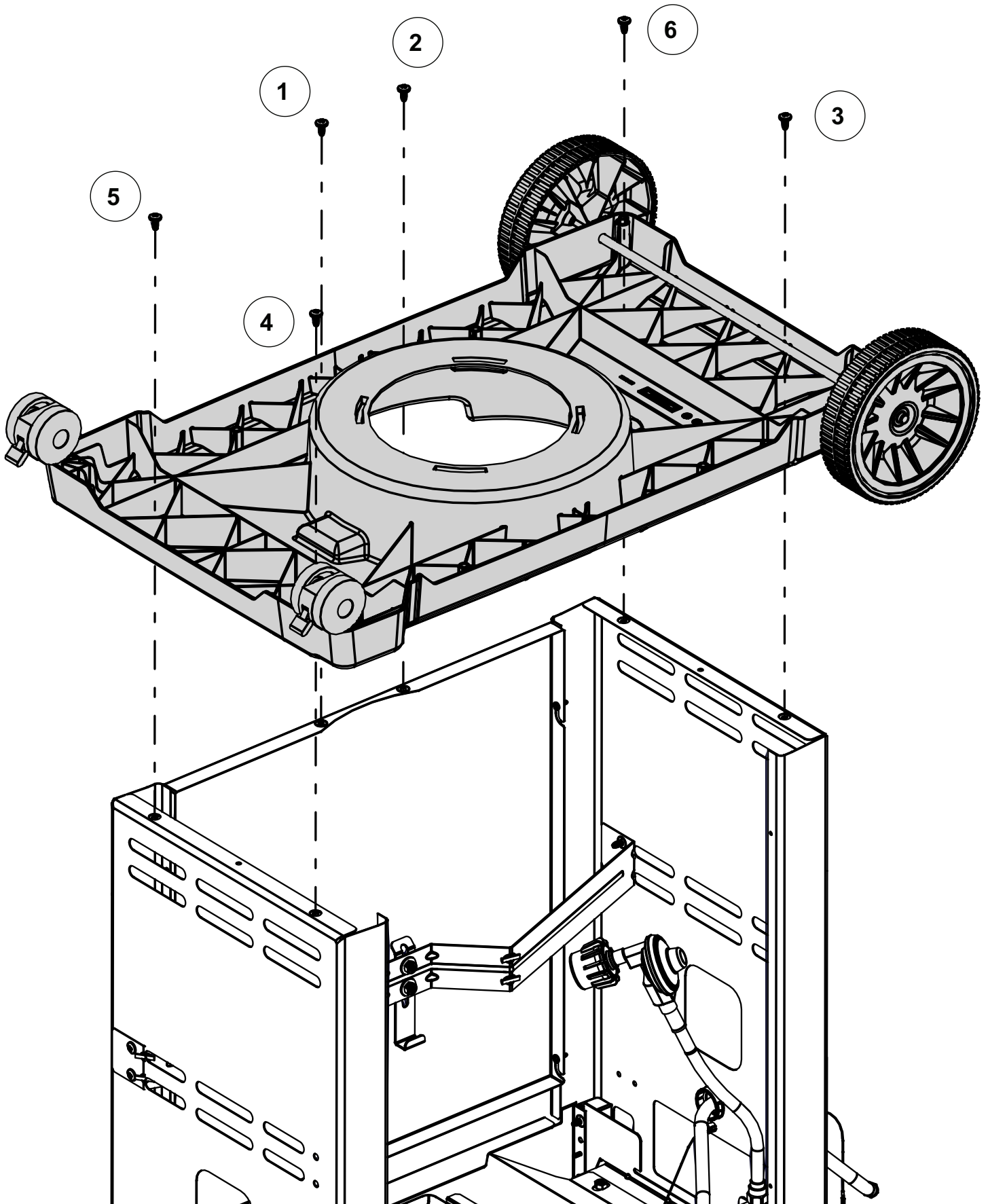
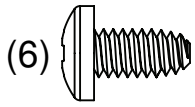


9

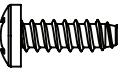
(2) 



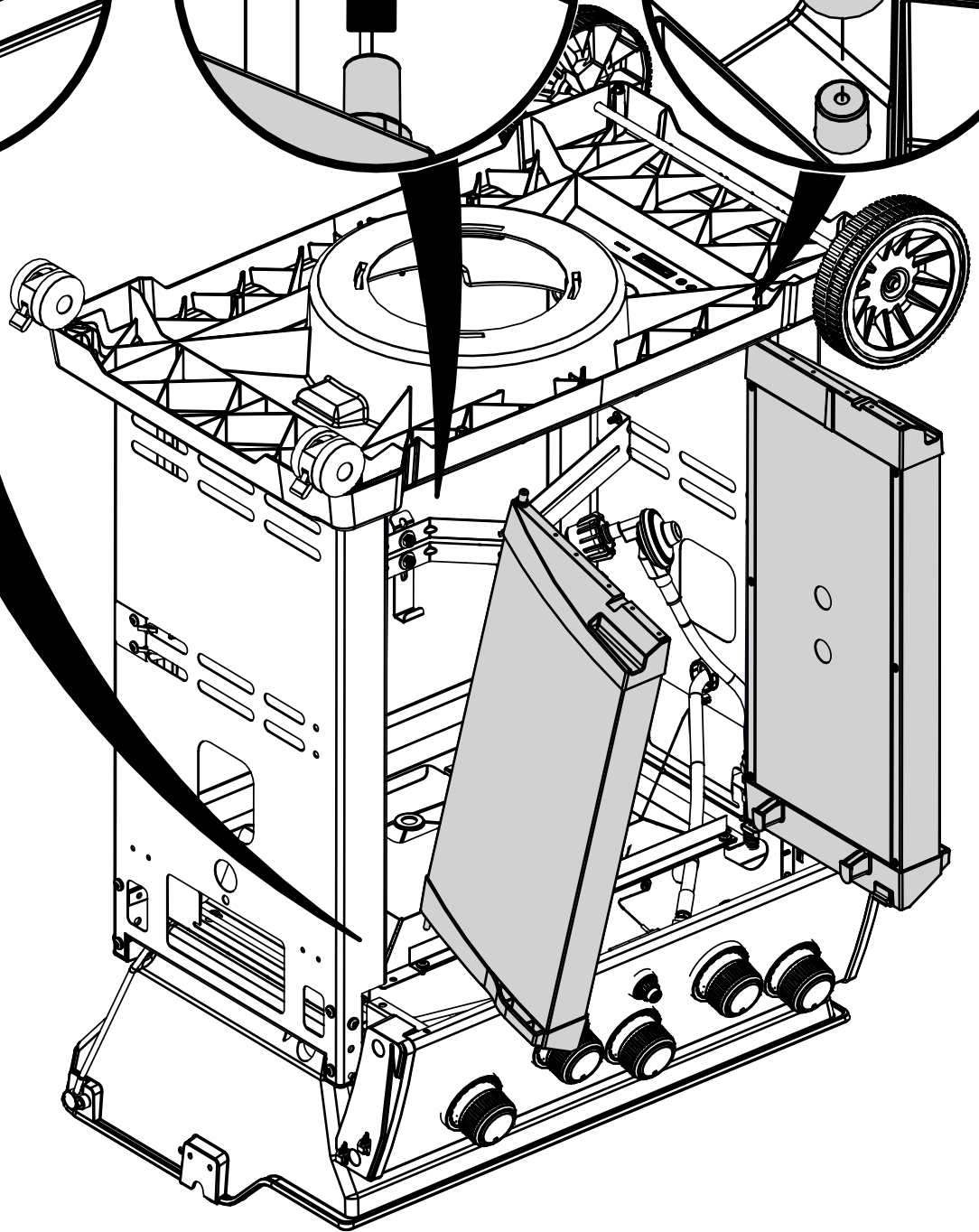
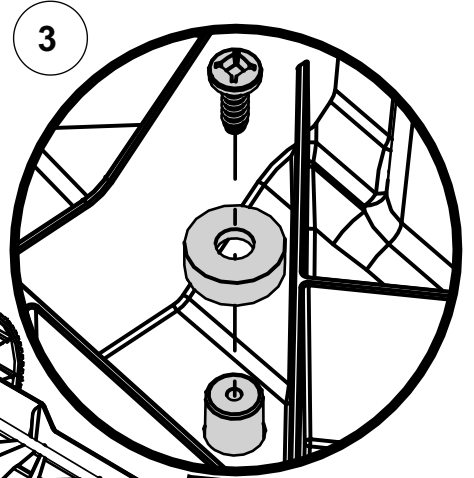
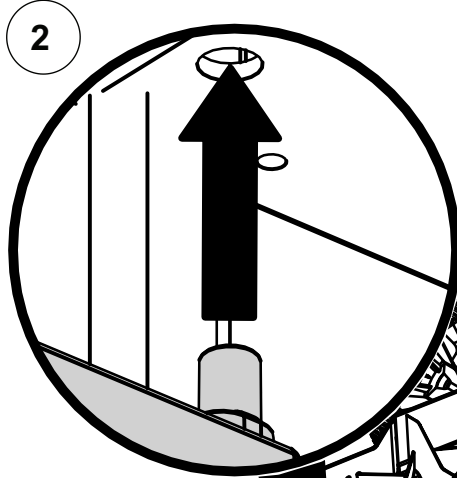
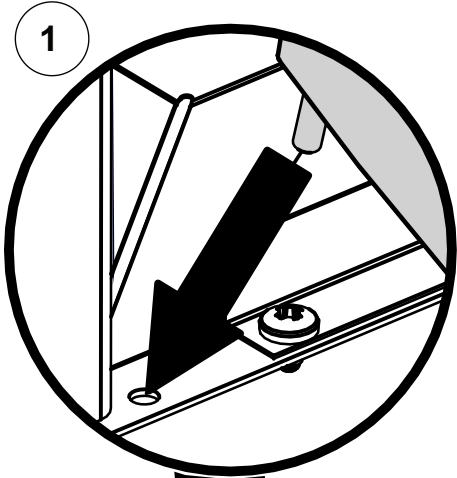
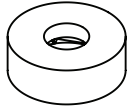
10

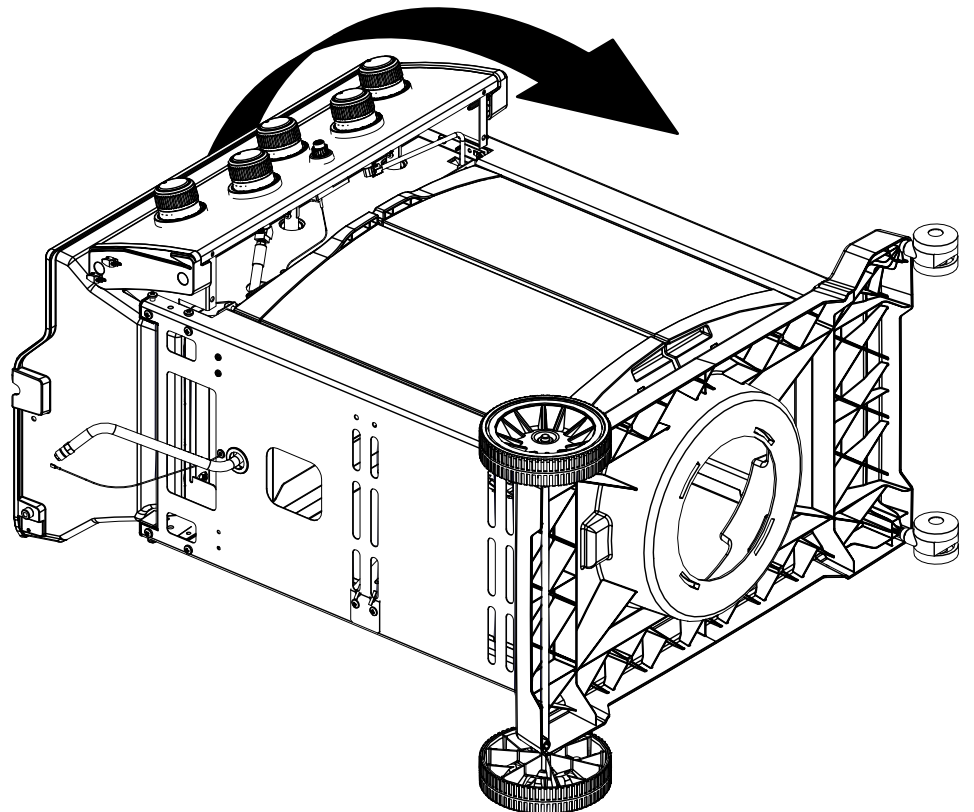
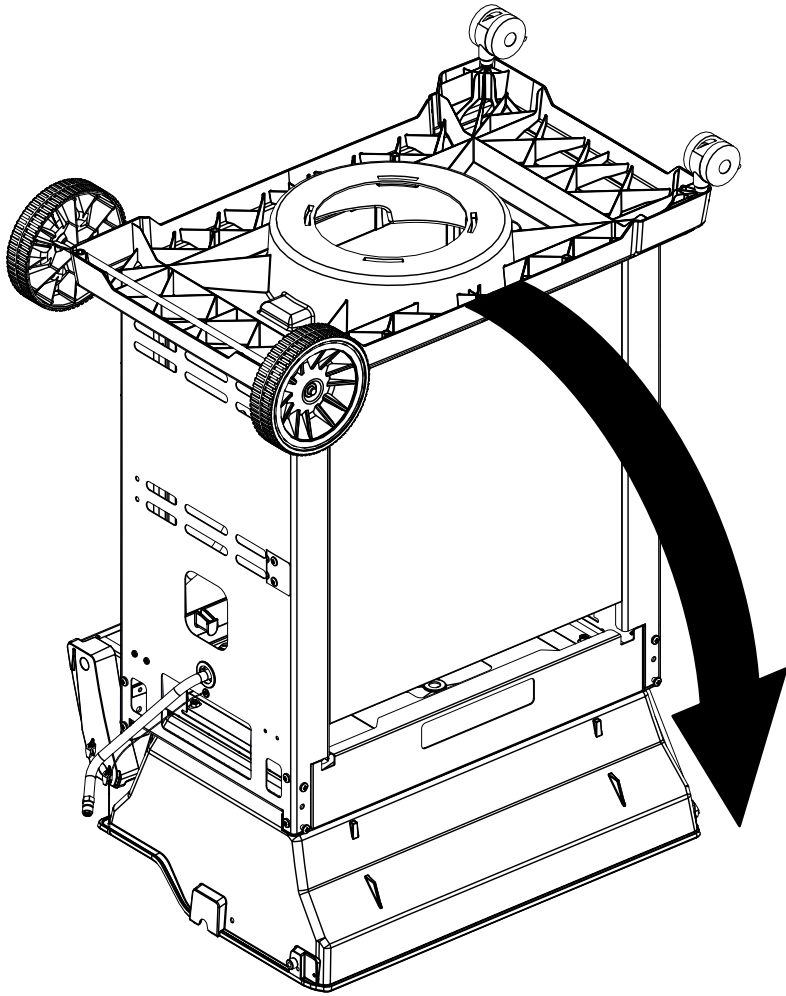


11

(2) 

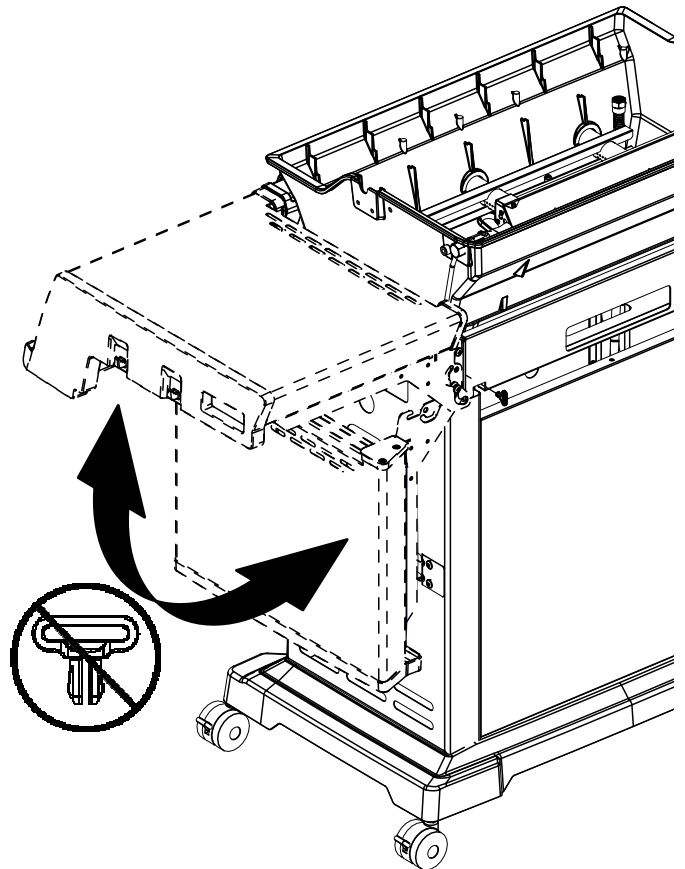
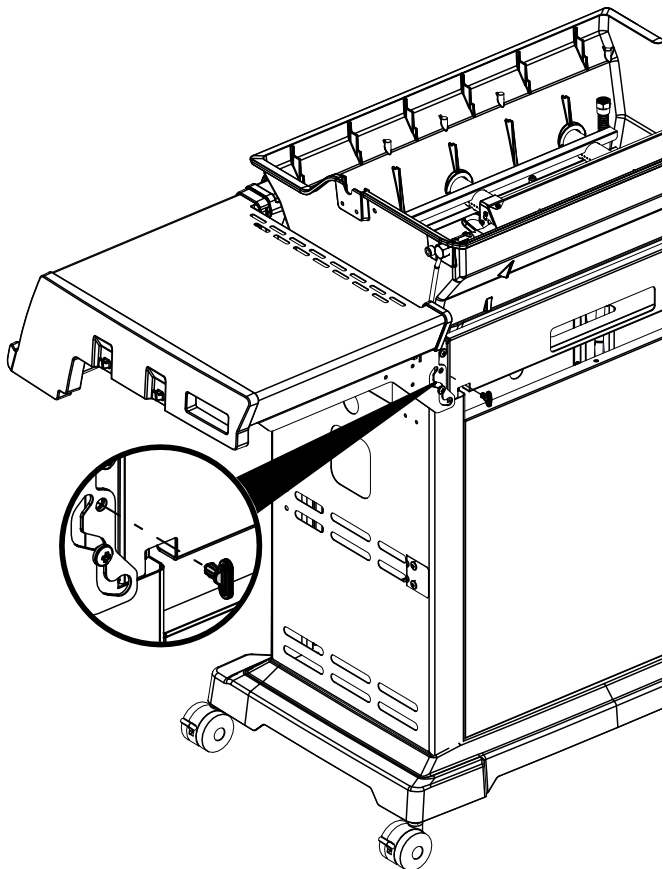
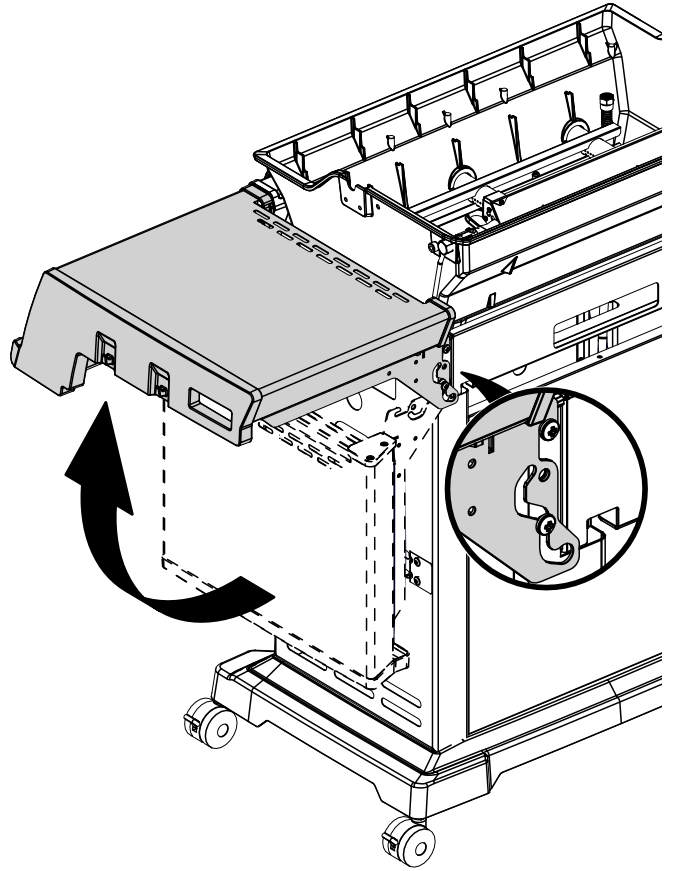
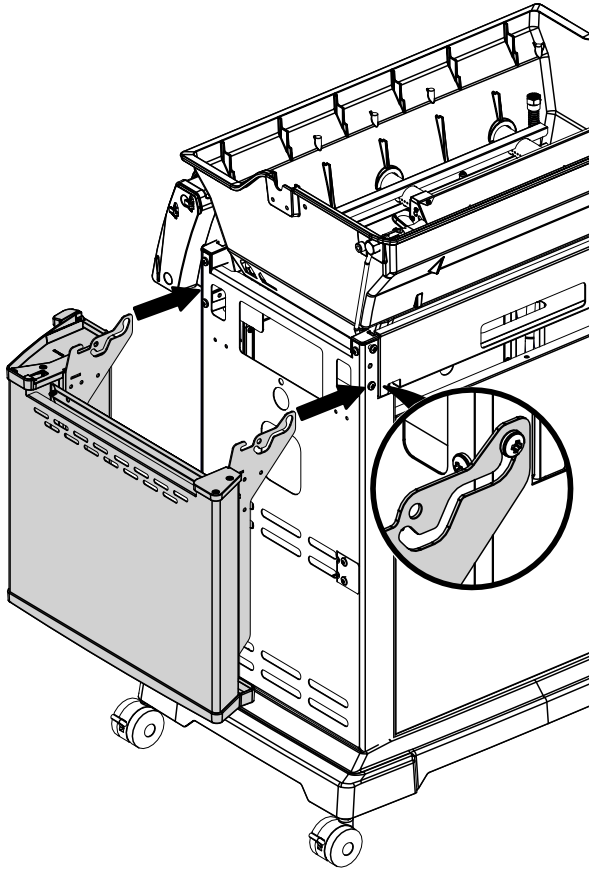
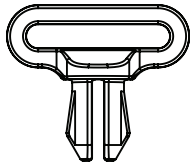
(2)





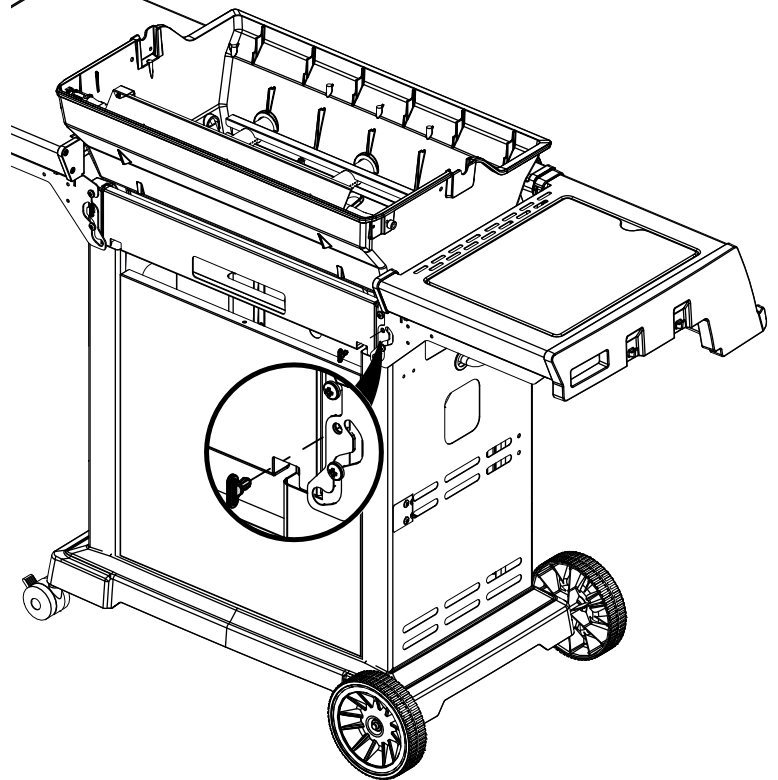
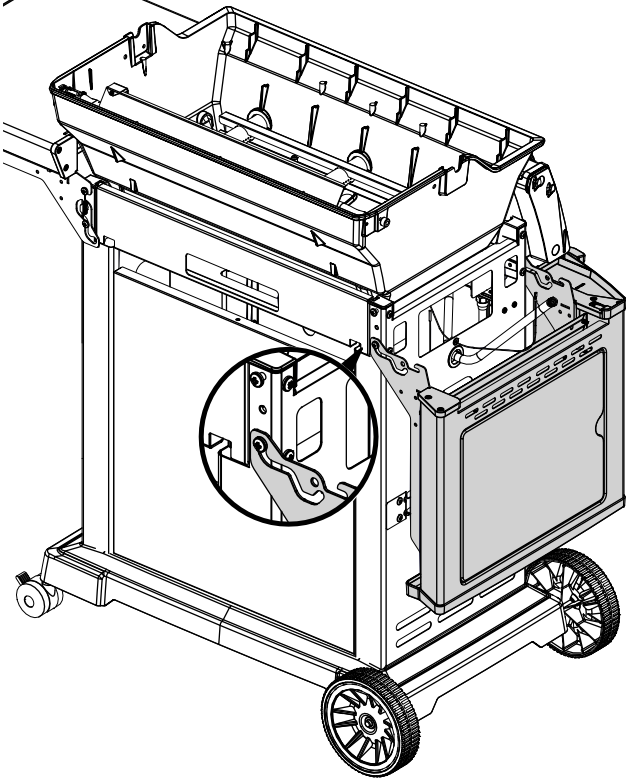
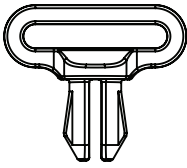
13

(1)



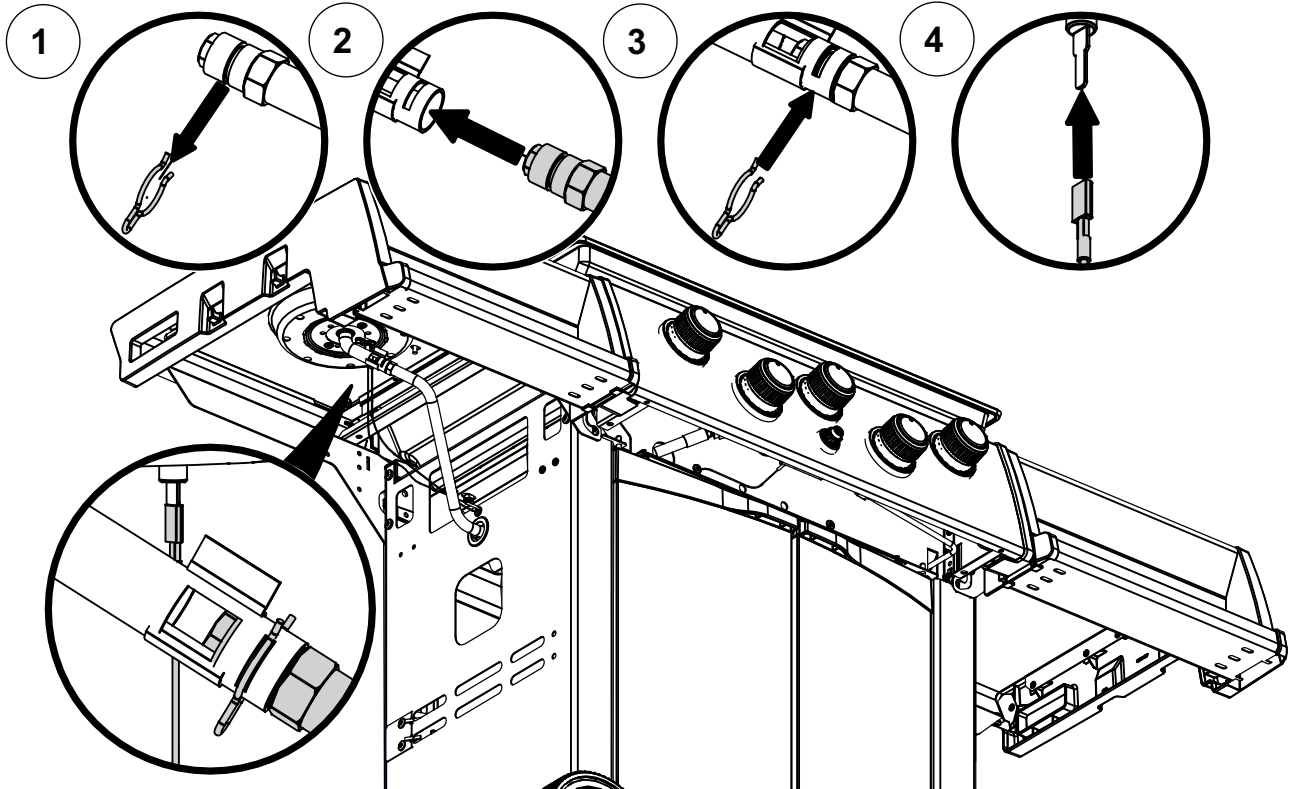
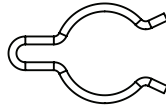
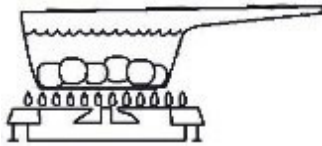
14

(1)

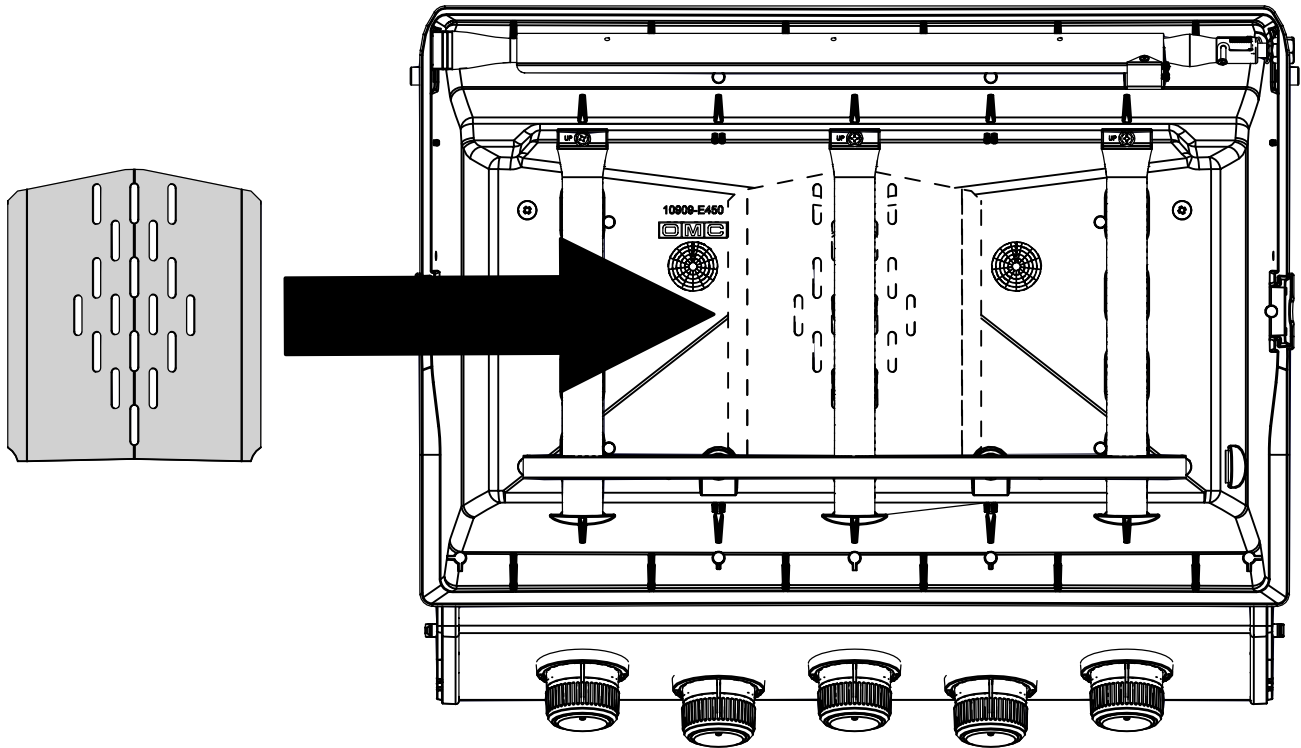


15

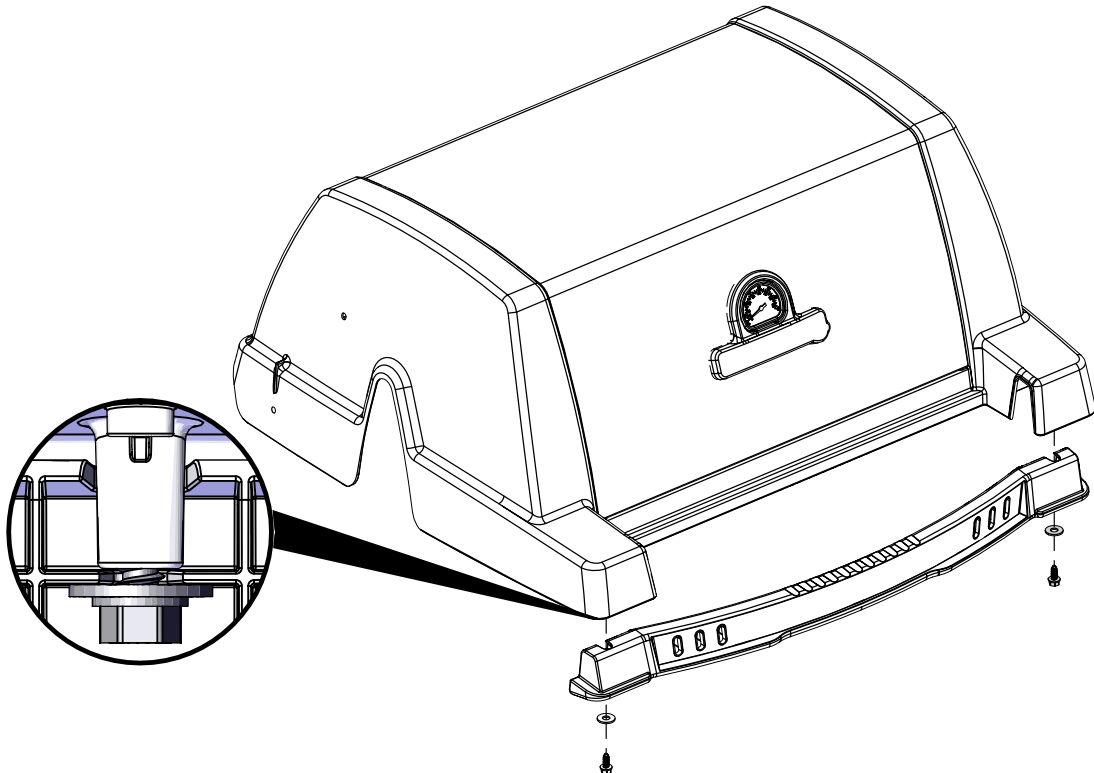
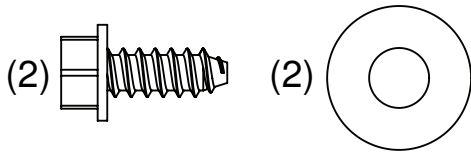
(1)



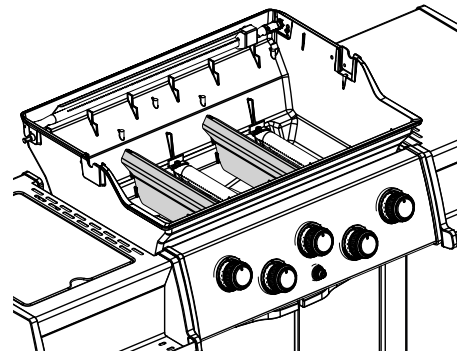
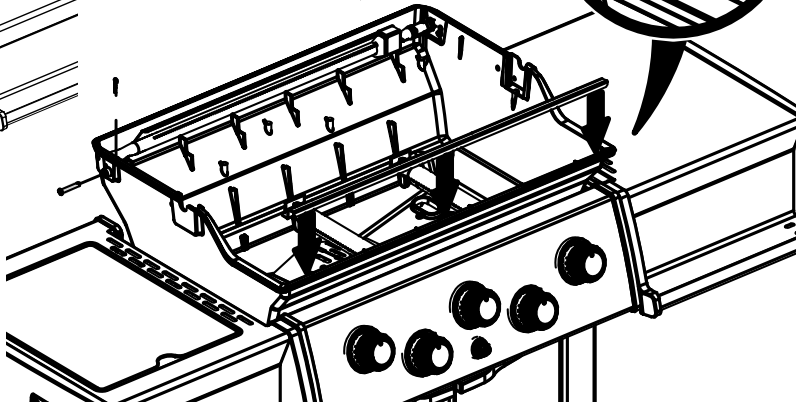
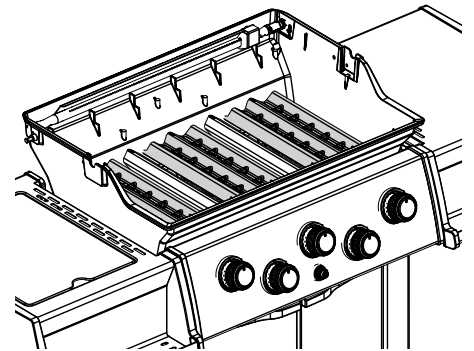
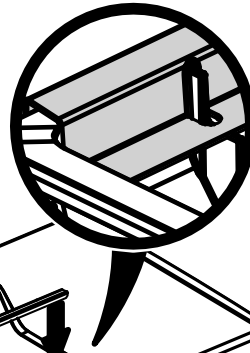
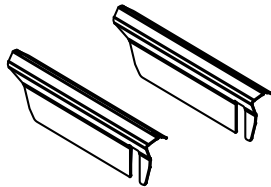
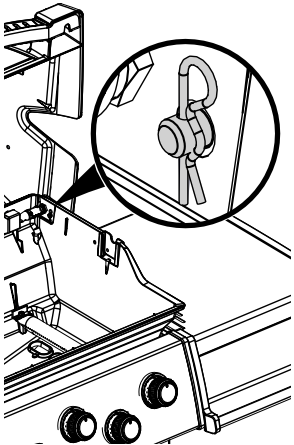
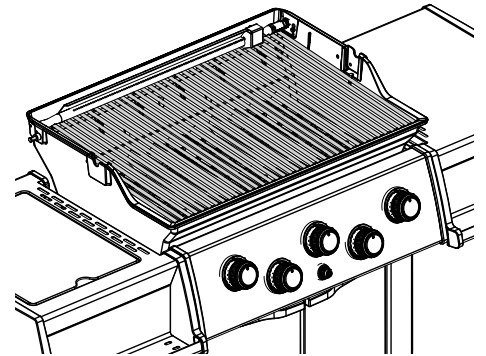
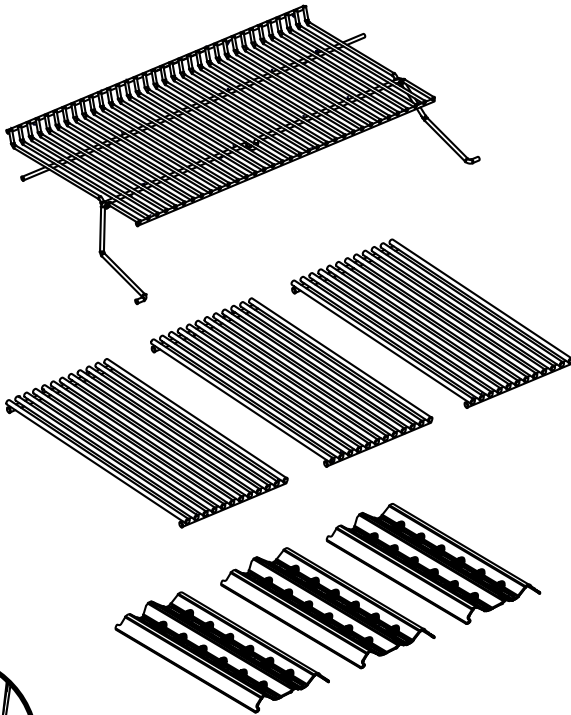
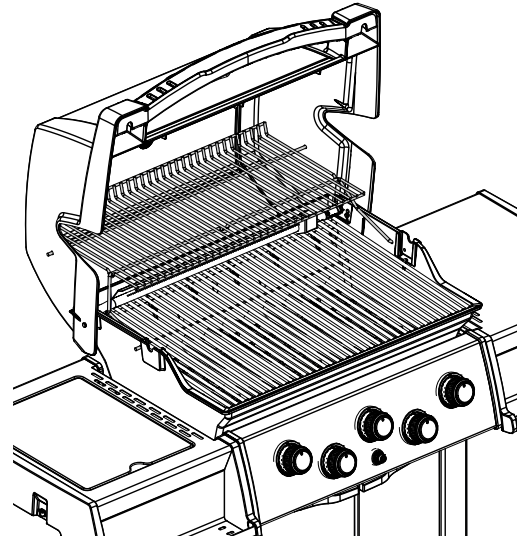
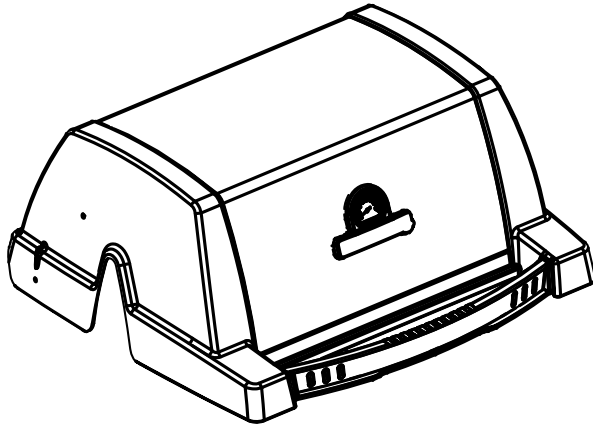
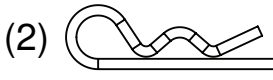
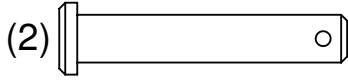
16

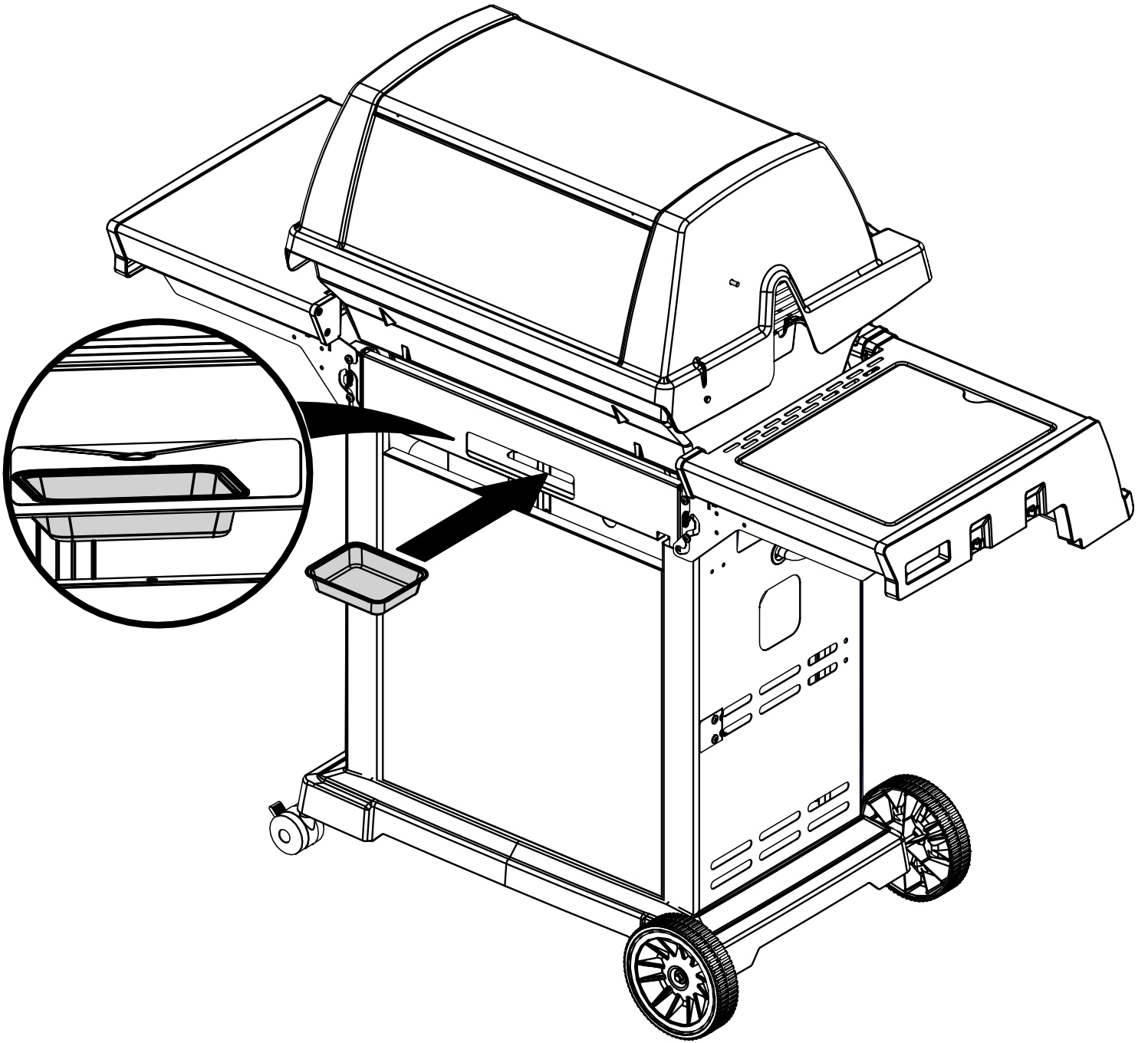


17

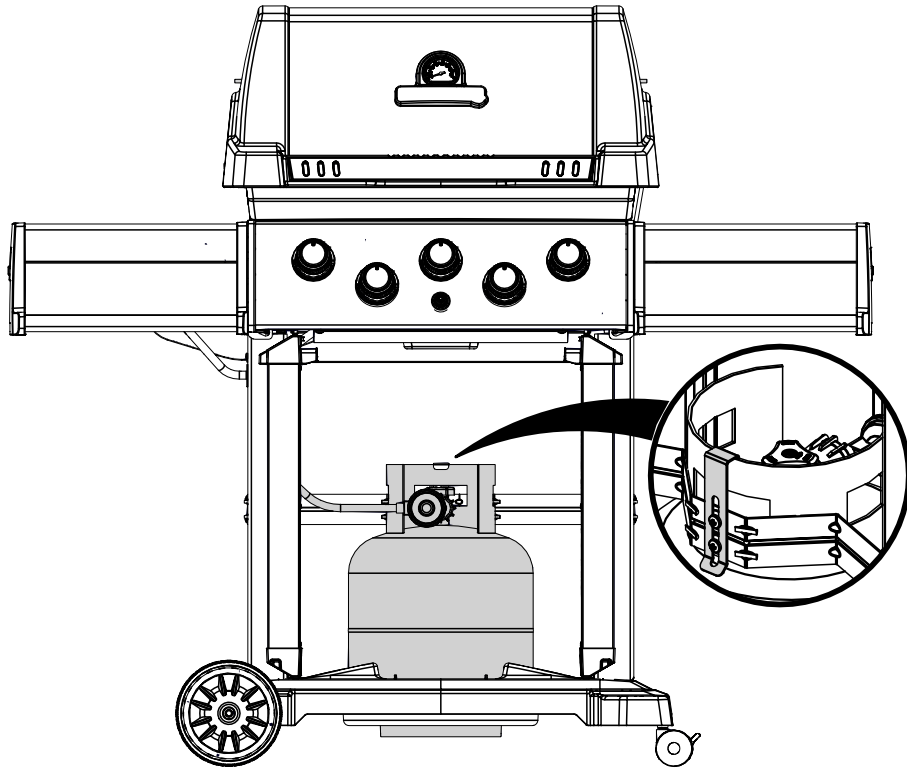
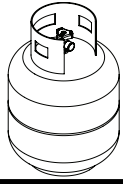


18

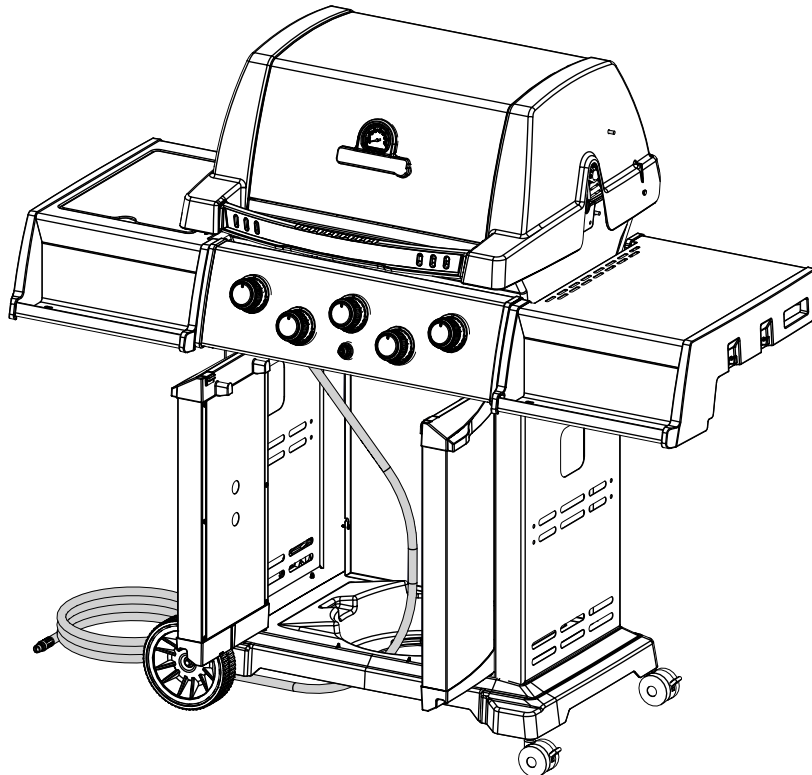




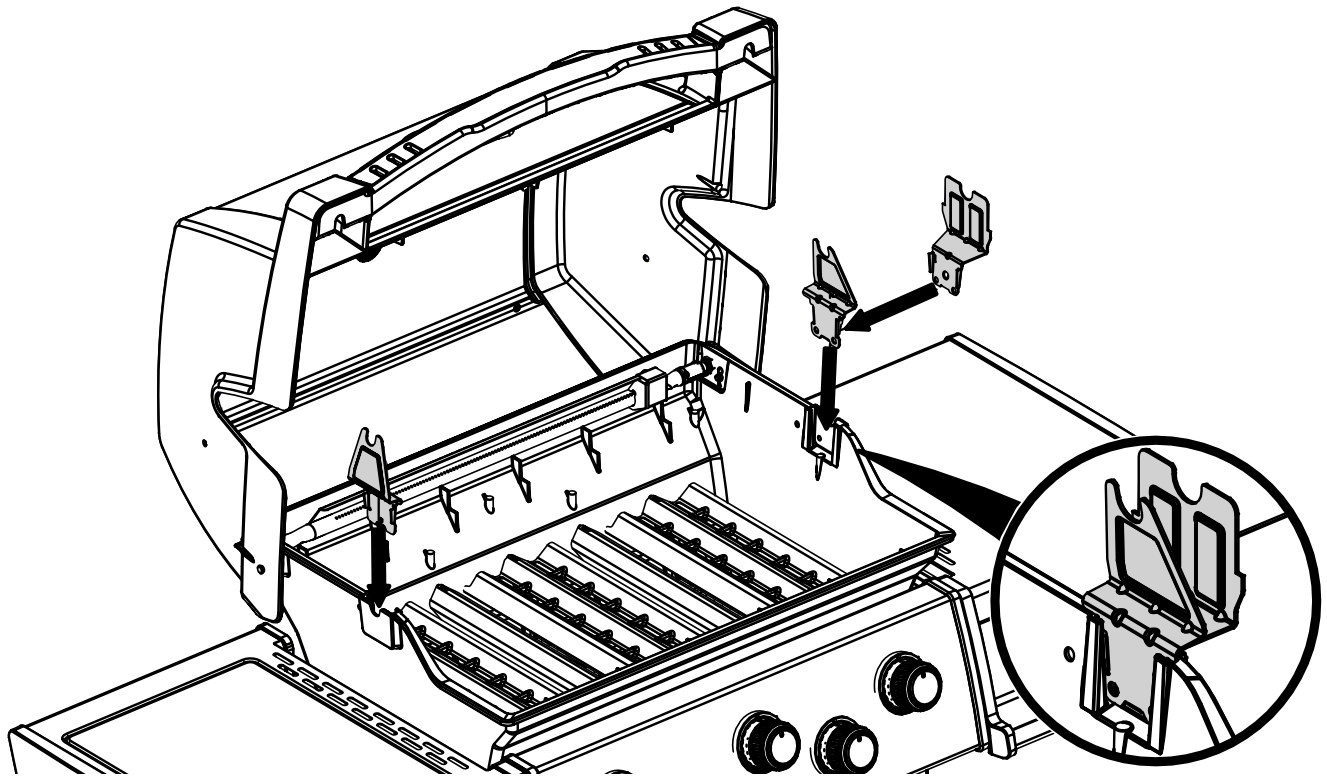
20



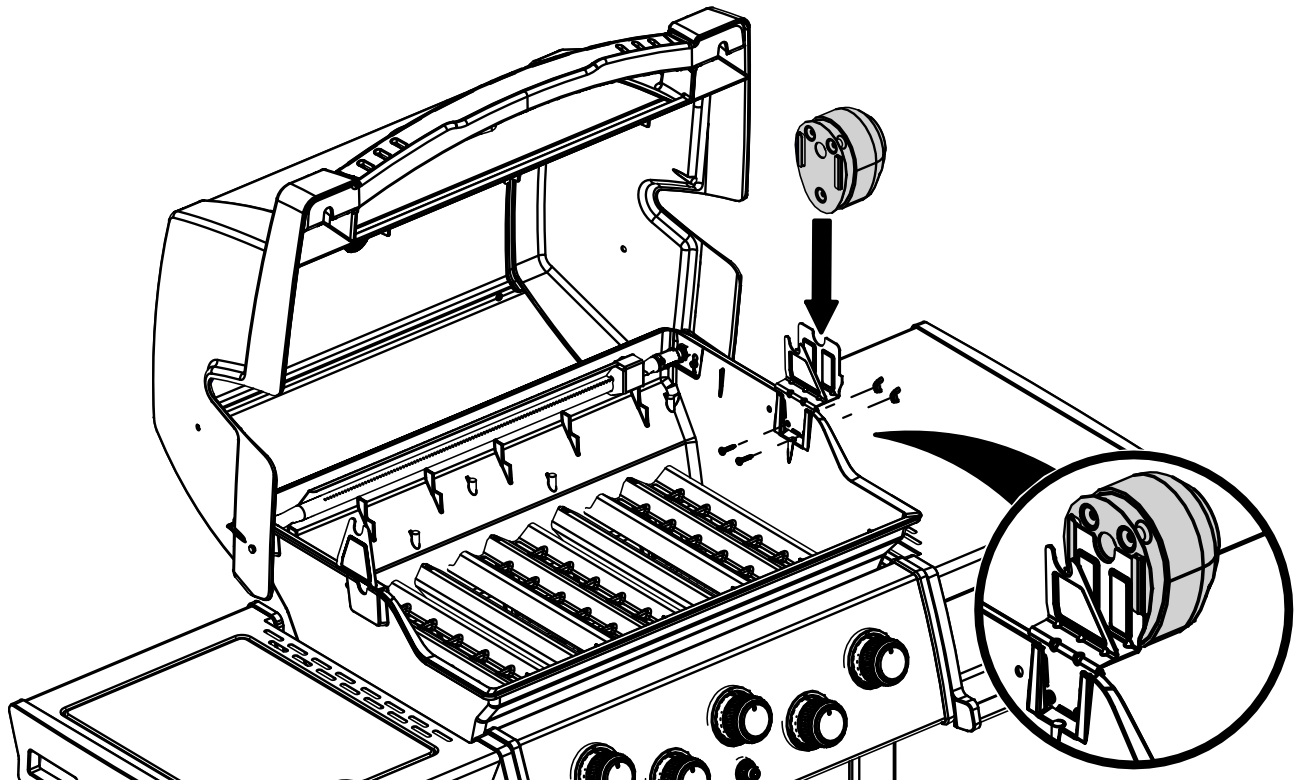
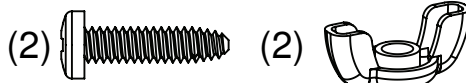
21



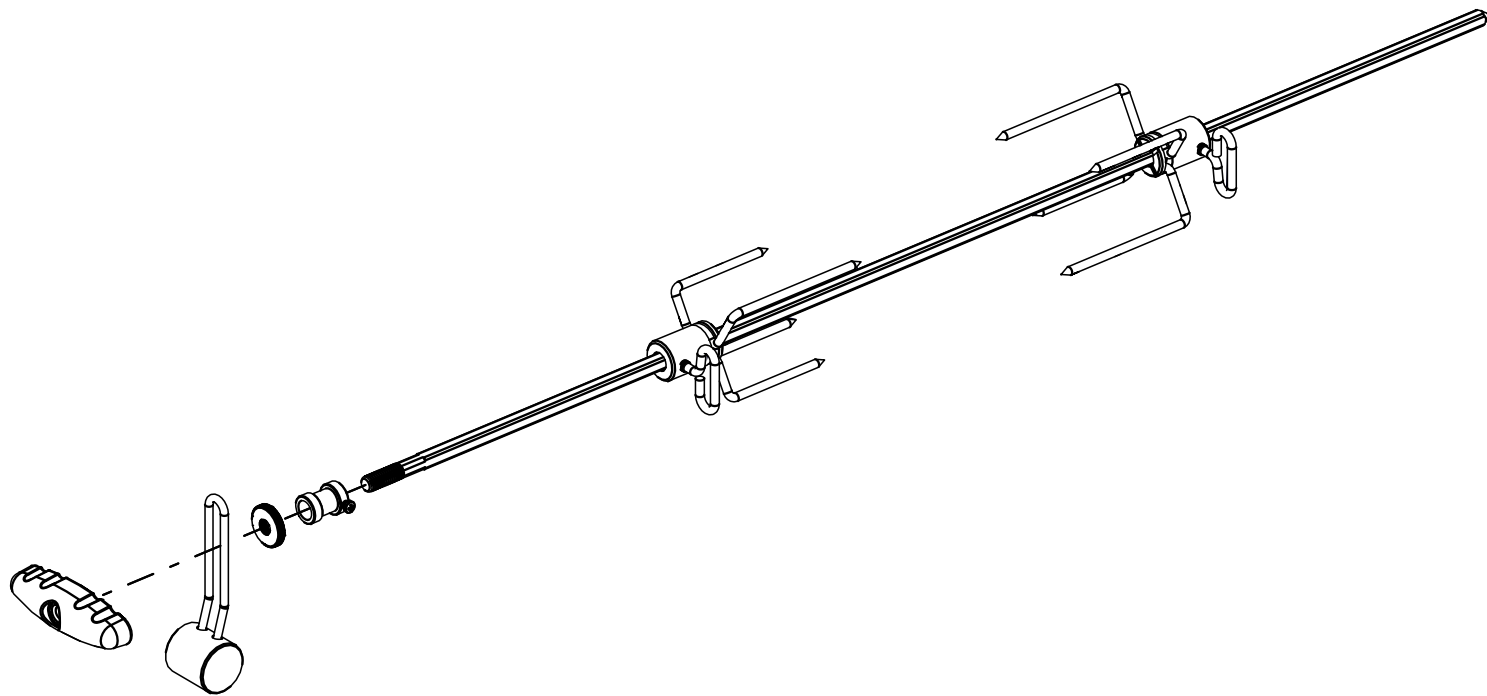
22



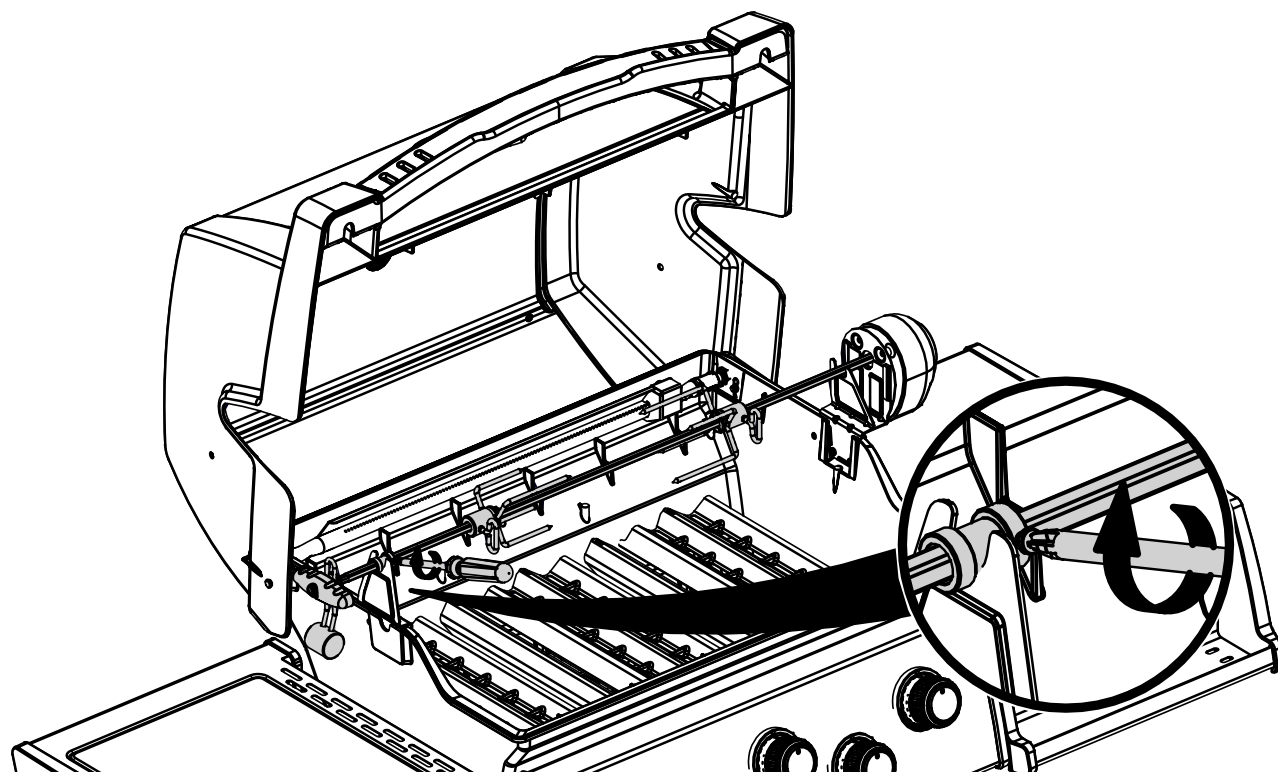
23



24



25



PARTS LIST / LISTE DES PIÈCES

9878-14 9878-17 9878-44 9878-47

| <u>KEY #</u> | <u>ITEM #</u> | <u>DESCRIPTION</u> | <u>DESCRIPTION</u> | | | | |
|--------------|---------------|----------------------------|-------------------------------|---|---|---|---|
| 1 | 10909-E450 | CASTING BOTTOM | FOND DU FOYER | 1 | 1 | 1 | 1 |
| 2 | 10473-E450 | CASTING TOP | COUVERCLE DU GRIL | 1 | 1 | 1 | 1 |
| 3 | 10081-BK630 | NAMEPLATE | PLAQUE D'IDENTIFICATION | 1 | 1 | 1 | 1 |
| 4 | 10958-E450A | TOP CASTING INSERT | PANNEAU DE COUVERCLE | 1 | 1 | 1 | 1 |
| 5 | 10571-6 | HEAT INDICATOR | INDICATEUR DE CHALEUR | 1 | 1 | 1 | 1 |
| 6 | 10240-15 | HINGE PIN | GOUPILLE DE CHARNIÈRE | 2 | 2 | 2 | 2 |
| 6A | S21237 | HINGE SPACER | ENTRETOISE DE CHARNIÈRE | 2 | 2 | 2 | 2 |
| 7 | S21233 | HITCH PIN CLIP | ATTACHE DE CHEVILLE | 2 | 2 | 2 | 2 |
| 9 | S12033S | GRID | GRILLE | 3 | 3 | 3 | 3 |
| 10 | 10222-E400 | FLAV-R-WAVE | FLAV-R-WAVE™ | 3 | 3 | 3 | 3 |
| 11 | 10225-E451 | GRID - WARMING RACK | GRILLE | 1 | 1 | 1 | 1 |
| 12 | 10222-E401 | DIVIDER | DIVISOR | 2 | 2 | 2 | 2 |
| 13 | 10184-R84 | BOSS EXTENSION | EXTENSION DE REFUERZO | 1 | 1 | 1 | 1 |
| 15 | 10390-E20LP | BURNER | BRÛLEUR | 3 | • | 3 | • |
| | 10390-E20NG | BURNER | BRÛLEUR | • | 3 | • | 3 |
| 17 | 10342-245 | ELECTRONIC IGNITOR | ALLUMEUR ÉLECTRONIQUE | 1 | 1 | • | • |
| | 10342-247 | ELECTRONIC IGNITOR | ALLUMEUR ÉLECTRONIQUE | • | • | 1 | 1 |
| 18 | 10342-E12 | ELECTRODE | ELECTRODE | 2 | 2 | 2 | 2 |
| 19 | 10342-E400A | COLLECTOR BOX | BOÎTE DE COLLECTEUR | 1 | 1 | 1 | 1 |
| 21 | 10445-E30 | CONTROL ASSEMBLY - LP | ASSEMBLÉE DE CONTROLE | 1 | • | • | • |
| | 10445-E31 | CONTROL ASSEMBLY - NG | ASSEMBLÉE DE CONTROLE | • | 1 | • | • |
| | 10445-E36 | CONTROL ASSEMBLY - LP | ASSEMBLÉE DE CONTROLE | • | • | 1 | • |
| | 10445-E37 | CONTROL ASSEMBLY - NG | ASSEMBLÉE DE CONTROLE | • | • | • | 1 |
| 21A | S13470-091 | HOSE-SIDE BURNER LP | TUYAU DU BRÛLEUR LATERAL PL | • | • | 1 | • |
| | S13470-132 | HOSE-SIDE BURNER NG | TUYAU DU BRÛLEUR LATERAL GN | • | • | • | 1 |
| 21B | Y-11230 | COTTER PIN | ATTACHE DE CHEVILLE | • | • | 1 | 1 |
| 21C | 10110-45 | TUBE-REAR BURNER ASSY | TUBE DE BRÛLEUR ARRIERE | • | • | 1 | 1 |
| 22 | 10114-16 | HOSE & REGULATOR LP - QCC1 | TUYAU ET REGULATEUR PL - QCC1 | 1 | • | 1 | • |
| | 10111-K45 | HOSE NATURAL GAS | TUYAU (GAZ NATUREL) | • | 1 | • | 1 |
| 23 | 22001-768 | CONTROL KNOB | BOUTON DE CONTROLE | 3 | 3 | 5 | 5 |
| 23A | 10472-E38 | CONTROL BEZEL | PANEL DE CONTROL | 3 | 3 | 5 | 5 |
| 23B | Y-12674 | STOPPER | OBTURADOR | 3 | • | • | 5 |
| 24 | 10111-16A | HOSE | MANGUERA | 1 | 1 | 1 | 1 |
| 25 | 10222-E402 | BAFFLE | DEFLECTOR | 1 | 1 | 1 | 1 |
| 30 | 10194-E433 | CONTROL COVER | CUBIERTA DE CONTROL | 1 | 1 | • | • |
| | 10194-E499 | CONTROL COVER | CUBIERTA DE CONTROL | • | • | 1 | 1 |
| 31 | 10711-E42A | EDGE CAP - CONTROL COVER | TAPA DE EXTREMO | 1 | 1 | 1 | 1 |
| 32 | 10711-E41A | EDGE CAP - CONTROL COVER | TAPA DE EXTREMO | 1 | 1 | 1 | 1 |
| 33 | 10184-E92 | RADIATION SHIELD | CUBIERTA DE RADIACIÓN | 1 | 1 | 1 | 1 |
| 35 | 10184-E501 | SUPPORT-CASTING-LEFT | SOPORTE - CUERPO - IZQUIERDO | 1 | 1 | 1 | 1 |

PARTS LIST / LISTE DES PIECES

9878-14 9878-17 9878-44 9878-47

| KEY # | ITEM # | DESCRIPTION | DESCRIPTION | DESCRIPTION | | | | |
|-------|-------------|---------------------------|----------------------------|-------------------------------|---|---|---|---|
| 36 | 10184-E511 | SUPPORT-CASTING-RIGHT | SUPPORT DROIT DU FOYER | SOPORTE - CUERPO - DERECHO | 1 | 1 | 1 | 1 |
| 37 | 10184-E651 | SUPPORT-SIDE SHELF | SUPPORT TABLETTE | SOPORTE-ESTANTE LATERAL | 2 | 2 | 2 | 2 |
| 37A | 10184-E63 | SUPPORT-SIDE SHELF | SUPPORT TABLETTE | SOPORTE-ESTANTE LATERAL | 2 | 2 | 2 | 2 |
| 38 | 10184-E641 | SUPPORT-SIDE SHELF | SUPPORT TABLETTE | SOPORTE-ESTANTE LATERAL | 2 | 2 | 2 | 2 |
| 38A | 10184-E62 | SUPPORT-SIDE SHELF | SUPPORT TABLETTE | SOPORTE-ESTANTE LATERAL | 2 | 2 | 2 | 2 |
| 39 | 10956-E881 | BRACE-REAR | SUPPORT ARRIERE | ABRAZADERA-POSTERIOR | 1 | 1 | 1 | 1 |
| 40 | 10958-E81 | BASE | TABLETTE INFERIEURE | BASE | 1 | 1 | 1 | 1 |
| 41 | 10956-E591 | BRACE-FRONT | SUPPORT AVANT | ABRAZADERA-FRONTAL | 1 | 1 | 1 | 1 |
| 42 | 10958-E79 | DOOR | PORTE | PUERTA | 2 | 2 | 2 | 2 |
| 42A | 10958-E851 | DOOR - INNER | PORTE INTERIEURE | PUERTA-INTERIOR | 2 | 2 | 2 | 2 |
| 43 | 10958-E761 | SIDE PANEL | PANNEAU LATERALE | PANEL LATERAL | 2 | 2 | 2 | 2 |
| 44 | 10958-E901 | PANEL - REAR | PANNEAU - ARRIERE | PANEL - POSTERIOR | 1 | 1 | 1 | 1 |
| 45 | 10184-E931 | BRACKET - DOOR CATCH | CROCHET DE PORTE | SOPORTE - RETÉN DE PUERTA | 1 | 1 | 1 | 1 |
| 48 | 10184-E681 | BRACKET - SHELF | CROCHET - PLANCHETTE | SOPORTE PARA ESTANTE | 2 | 2 | 2 | 2 |
| 49 | 10711-E84 | CONDIMENT BIN | CASIER DE CONDIMENT | COMPARTIMIENTO | 2 | 2 | 2 | 2 |
| 50 | 10711-E92 | SHELF | PLANCHETTE LATERALE | ESTANTE | 1 | 1 | 1 | 1 |
| 51 | 10711-E92 | SHELF | PLANCHETTE LATERALE | ESTANTE | 1 | 1 | 1 | 1 |
| 51 | 10711-E93 | SHELF | PLANCHETTE LATERALE | ESTANTE | • | • | • | • |
| 52 | 10184-E78A | DOOR - TOP CAP - LEFT | PORTE - DESSUS - GAUCHE | TAPA SUPERIOR - IZQUIERDA | 1 | 1 | 1 | 1 |
| 53 | 10184-E76 | DOOR - BOTTOM CAP - LEFT | PORTE - DESSOUS - GAUCHE | TAPA INFERIOR - IZQUIERDA | 1 | 1 | 1 | 1 |
| 54 | 10184-E79A | DOOR - TOP CAP - RIGHT | PORTE - DESSUS - DROIT | TAPA SUPERIOR - DERECHA | 1 | 1 | 1 | 1 |
| 55 | 10184-E77 | DOOR - BOTTOM CAP - RIGHT | PORTE - DESSOUS - DROIT | TAPA INFERIOR - DERECHA | 1 | 1 | 1 | 1 |
| 56 | 10892-7G | WHEEL | ROUE | RUEDA | 2 | 2 | 2 | 2 |
| 60 | 10711-E47 | END CAP - SHELF | MONTURE D'EMBOUT | TAPA DEL EXTREMO | 1 | 1 | 1 | 1 |
| 61 | 10711-E44 | EDGE CAP - SHELF | PAC DE BORD | TAPA DEL EXTREMO | 1 | 1 | 1 | 1 |
| 62 | 10711-E45 | EDGE CAP - SHELF | PAC DE BORD | TAPA DEL EXTREMO | 1 | 1 | 1 | 1 |
| 63 | 10711-E48 | END CAP - SHELF | MONTURE D'EMBOUT | TAPA DEL EXTREMO | 1 | 1 | 1 | 1 |
| 64 | 10711-E43 | EDGE CAP - SHELF | PAC DE BORD | TAPA DEL EXTREMO | 1 | 1 | 1 | 1 |
| 65 | 10711-E46 | EDGE CAP - SHELF | PAC DE BORD | TAPA DEL EXTREMO | 1 | 1 | 1 | 1 |
| 66 | S13015A | BURNER ROTISSERIE | BRULEUR A ROTISS | QUEMADOR PARA ROSTIZAR | • | • | • | • |
| 67 | S15508 | ELECTRODE | ELECTRODE | ELECTRODO | • | • | • | • |
| 68 | S21362 | SPRING | RESSORT | RESORTE | • | • | • | • |
| 70 | Y-11990 | HEX NUT | ECROU | TUERCA HEXAGONAL | • | • | • | • |
| 71 | 10696-109 | REAR BURNER-ORIFICE | ORIFICE DU BRÛLEUR ARRIÈRE | QUEMADOR POSTERIOR - ORIFICIO | • | • | • | • |
| 71 | 10696-160 | REAR BURNER-ORIFICE | ORIFICE DU BRÛLEUR ARRIÈRE | QUEMADOR POSTERIOR - ORIFICIO | • | • | • | • |
| 72 | S21420 | PUSH NUT | POUSSE ECROU | TUERCA DE COMPRESIÓN | 2 | 2 | 2 | 2 |
| 74 | S21084 | SCREW #14 x 3/4 | VIS #14 x 3/4 | TORNILLO #14 X 3/4 | 9 | 9 | 9 | 9 |
| 75 | 10184-E703A | HANDLE | POIGNÉE | MANGO | 1 | 1 | 1 | 1 |
| 76 | S21255 | WASHER | RONDELLE | ARANDELA | 6 | 2 | 6 | 2 |
| 78 | 10892-15 | CASTOR | ROULETTES | RUEDITA | 2 | 2 | 2 | 2 |

PARTS LIST / LISTE DES PIÈCES

9878-14 9878-17 9878-44 9878-47

| KEY # | ITEM # | DESCRIPTION | DESCRIPTION | DESCRIPTION | DESCRIPTION | DESCRIPTION |
|-------|------------|--------------------------|-------------------------------|------------------------------|-------------|-------------|
| 79 | Y-11561 | SCREW 1/4-20 x 1 3/4 | VIS 1/4-20 X 1 3/4 | TORNILLO 1/4-20 x 1 3/4 | 8 | 8 |
| 80 | Y-11546 | SCREW 1/4-20 X 5/8 | VIS 1/4-20 X 5/8 | TORNILLO 1/4-20 X 5/8 | 10 | 10 |
| 81 | Y-12860 | SCREW 1/4-20 X 1 3/8 | VIS 1/4-20 X 1 3/8 | TORNILLO 1/4-20 X 1 3/8 | 8 | 8 |
| 82 | Y-12673 | SHELF - LOCK PIN | ÉTAGÈRE - GOUPILLE DE SERRURE | ESTANTE - CLAVIJA DE TRABA | 2 | 2 |
| 83 | Y-12855 | SCREW 1/4-20 X 3/8 | VIS 1/4-20 X 3/8 | TORNILLO 1/4-20 X 3/8 | 4 | 4 |
| 84 | S15170 | AXLE | ESSIEU | EJE | 1 | 1 |
| 85 | Y-12865 | SCREW 1/4-20 X 1/2 | VIS 1/4-20 X 1/2 | TORNILLO 1/4-20 X 1/2 | 12 | 8 |
| 87 | Y-11793 | NUT 1/4-20 | ECROU 1/4-20 | TUERCA 1/4-20 | 10 | 10 |
| 96 | S21125 | SCREW 8 X 3/8 | VIS 8 X 3/8 | TORNILLO 8 X 3/8 | 16 | 16 |
| 98 | S21124 | SCREW 8 X 1/2 | VIS 8 X 1/2 | TORNILLO 8 X 1/2 | 25 | 25 |
| 98A | Y-12643 | SCREW 8 X 1/2 | VIS 8 X 1/2 | TORNILLO 8 X 1/2 | 12 | 12 |
| 99 | Y-12646 | SCREW SHOULDER 8 X 1/2 | VIS 8 X 1/2 | TORNILLO SHOULDER 8 X 1/2 | • | • |
| 104 | Y-12835 | SCREW 6-32 X 1/4 | VIS 6-32 X 1/4 | TORNILLO 6-32 X 1/4 | • | • |
| 106 | Y-12861 | SCREW 1/4-20 X 3/8 | VIS 1/4-20 X 3/8 | TORNILLO 1/4-20 X 3/8 | • | • |
| 107 | Y-12863 | WASHER | RONDELLE | ARANDELA | • | • |
| 110 | 23009-99 | GRID | GRILLE | REJILLA | • | • |
| 111 | 10390-R81A | SIDE BURNER | BRULEUR DE COTE | QUEMADOR LATERAL | • | • |
| 113 | 10342-T16 | ELECTRODE -- SIDE BURNER | ELECTRODE -- BRULEUR DE COTE | ELECTRODO - QUEMADOR LATERAL | • | • |
| 114 | 23000-254 | COVER-SIDE BURNER | COUVERCLE LATÉRAL | CUBIERTA - QUEMADOR LATERAL | • | • |
| 117 | 23000-271 | SHELF-SIDE BURNER | SUPPORT DE BRULEUR DE COTE | ESTANTE - QUEMADOR LATERAL | • | • |
| 123 | S15115 | GREASE PAN - DISPOSABLE | CUVETTE A GRAISSE | BANDEJA PARA LA GRASA | 1 | 1 |
| 124 | Y-12117 | BUSHING | DOUILLE | COJINETE | • | • |
| 125 | Y-12220 | BUSHING | DOUILLE | COJINETE | • | • |
| 135 | Y-12119 | BUSHING | DOUILLE | COJINETE | 2 | 2 |
| 136 | 10184-E43 | ROTISSERIE SHIELD | BOUCLIER DE ROTISSERIE | CUBIERTA DEL ROSTIZADOR | 1 | 1 |
| 137 | 10184-E42 | ROTISSERIE BRACKET | CROCHET DE ROTISSERIE | SOPORTE DEL ROSTIZADOR | 1 | 1 |
| 138 | 10184-E44 | ROTISSERIE SHIELD | BOUCLIER DE ROTISSERIE | CUBIERTA DEL ROSTIZADOR | 1 | 1 |
| 139 | S21061 | WING NUT | ECROU PAPILLON | TUERCA MARIPOSA | 2 | 2 |
| 140 | Y-29306 | SCREW 10-24 x 3/4 | VIS 10-24 x 3/4 | TORNILLO 10-24 x 3/4 | 2 | 2 |
| 141 | S15271 | HANDLE | POIGNEE | MANGO | • | • |
| 142 | S15270 | BALANCER | CONTREPOIS | BALANCEADOR | • | • |
| 143 | S15263 | BUSHING | DOUILLE | COJINETE | • | • |
| 144 | S15287 | 4 PRONG FORKS | FOURCHETTE A 4 FOURCHON | HORQUILLAS DE 4 PUNTAS | • | • |
| 145 | S15257 | SPIT ROD | BROCHETTE | BARRA ROSTIZADORA | • | • |
| 146 | S15236 | ROTISSERIE MOTOR | MOTEUR DE ROTISSERIE | MOTOR | • | • |
| 147 | S15299 | WASHER | RONDELLE | ARANDELA | • | • |
| 150 | 10184-E211 | TANK CLAMP | PINCE-CITERNES | PINZA PARA TANQUE | 1 | • |
| 151 | 10184-E201 | TANK STRAP | SANGLE RÉSERVOIR | CORREA PARA TANQUE | 1 | • |
| 154 | Y-11795 | LOCK NUT | CROU DE BLOCAGE | TUERCA DE SEGURIDAD | 6 | 4 |
| 156 | Y-12124 | DOOR PIN CAP | PORTE PIN PAC | TAPA DE CLAVIJA DE LA PUERTA | 2 | 2 |
| 157 | Y-12871 | SCREW M4 X 0.7 | VIS M4 X 0.7 | TORNILLO M4 X 0.7 | • | • |

